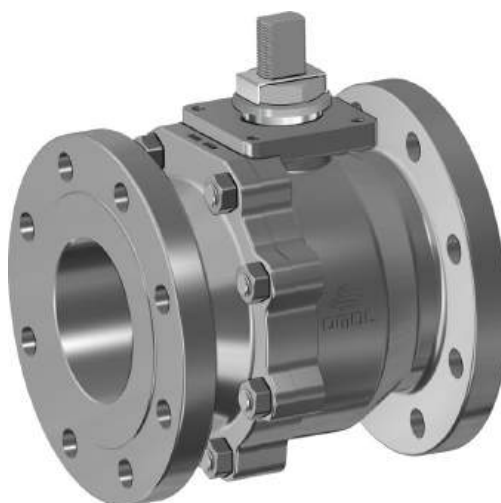




## THOR SPLIT BODY - ANSI 150-300

ACCIAIO INOX DA FUSIONE *CASTING STAINLESS STEEL*

ASSE LIBERO E CON RIDUTTORE *FREE SHAFT AND WITH GEAR BOX*



### CODICI VALVOLE ASSE LIBERO (V\_) E CON RIDUTTORE (R\_) IN ACCIAIO INOX DA FUSIONE CASTING STAINLESS STEEL BARE SHAFT (V\_) AND WITH GEAR BOX (R\_) OPERATED VALVE CODE

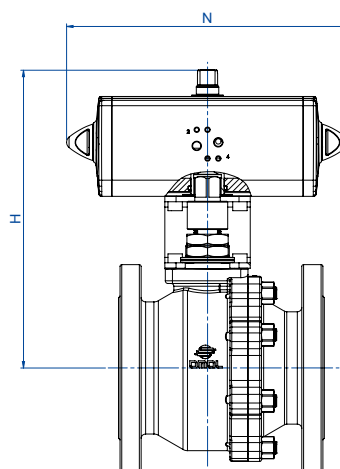
MISURA SIZE		ANSI	CODICE ARTICOLO -CF8M- ITEM CODE -CF8M-
DN [mm]	[inch]		
DN 15	1/2"	ANSI 150	V/LT104104AEA0ADQNV000
DN 15	1/2"	ANSI 300	V/LT104204AEA0ADQNV000
DN 20	3/4"	ANSI 150	V/LT105104AEA0ADQNV000
DN 20	3/4"	ANSI 300	V/LT105204AEA0ADQNV000
DN 25	1"	ANSI 150	V/LT106104AEA0ADQNV000
DN 25	1"	ANSI 300	V/LT106204AEA0ADQNV000
DN 32	1"1/4	ANSI 150	V/LT107104AEA0ADQNV000
DN 32	1"1/4	ANSI 300	V/LT107204AEA0AEQNV000
DN 40	1" 1/2	ANSI 150	V/LT108104AEA0AEQNV000
DN 40	1" 1/2	ANSI 300	V/LT108204AEA0AEQNV000
DN 50	2"	ANSI 150	V/LT109104AEA0AEQNV000
DN 50	2"	ANSI 300	V/LT109204AEA0AEQNV000
DN 65	2" 1/2	ANSI 150	V/LT110104AEA0AEQNV000
DN 65	2" 1/2	ANSI 300	V/LT110204AEA0AEQNV000
DN 80	3"	ANSI 150	V/LT111104AEA0AEQNV000
DN 80	3"	ANSI 300	V/LT111204AEA0AEQNV000
DN 100	4"	ANSI 150	V/LT112104AEA0AEQNV000
DN 100	4"	ANSI 300	V/LT112204AEA0AEQNV000
DN 150	6"	ANSI 150	V/RT114104AEA0AEQNV000
DN 150	6"	ANSI 300	V/RT114204AEA0AEMNV000
DN 200	8"	ANSI 150	V/RT115104AEA0AEQNV000

DN200 ANSI300 disponibile a magazzino, contattare ufficio commerciale per verifica condizioni operative.  
DN200 ANSI300 on stock, check with our sales department for operating conditions.

Versione STANDARD con riduttore manuale per DN150 e DN200. STANDARD version with manual gearbox for DN150 and DN200.  
(\* ) A RICHIESTA versione con leva. ON REQUEST version with manual lever.



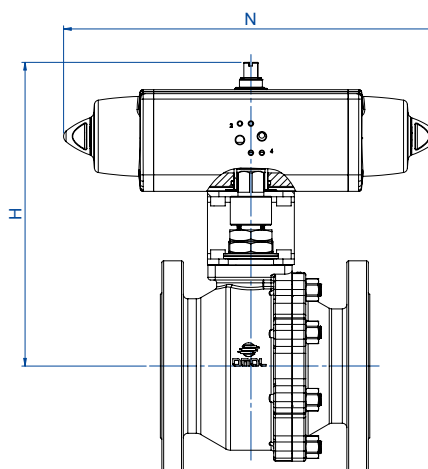
**THOR SPLIT BODY - ANSI 150-300**  
**ACCIAIO INOX DA FUSIONE CASTING STAINLESS STEEL**  
**CON ATTUATORE PNEUMATICO DA WITH DA PNEUMATIC ACTUATOR**



MISURA SIZE			CODICI ARTICOLI IN CF8M ACCIAIO INOX		ITEM CODES IN CF8M STAINLESS STEEL				
DN [mm]	[inch]	ANSI	CODICE ARTICOLO	ATTUATORE	KIT di montaggio	N [mm]	H [mm]	Peso Kg	
			ITEM CODE	ACTUATOR	Mounting KIT			Weight Kg	
DN 15	1/2"	ANSI 150	DT104104AEA0ADQNV000AFBA0	DAN0015411S	KCNAHD5312	159,0	154,2	2,9	
DN 15	1/2"	ANSI 300	DT104204AEA0ADQNV000AFCA0	DAN0030411S	KCNAHD5312	174,2	161,2	3,9	
DN 20	3/4"	ANSI 150	DT105104AEA0ADQNV000AFCA0	DAN0030411S	KCNAHD5312	174,2	164,2	3,9	
DN 20	3/4"	ANSI 300	DT105204AEA0ADQNV000AFCA0	DAN0030411S	KCNAHD5312	174,2	164,2	5,1	
DN 25	1"	ANSI 150	DT106104AEA0ADQNV000AFCA0	DAN0030411S	KCNBCHD5315	174,2	181,2	4,9	
DN 25	1"	ANSI 300	DT106204AEA0ADQNV000AFCA0	DAN0030411S	KCNBCHD5315	174,2	181,2	6,2	
DN 32	1"1/4	ANSI 150	DT107104AEA0ADQNV000AFDA0	DAN0045412S	KCNBCHD5315	188,5	191,5	6,3	
DN 32	1"1/4	ANSI 300	DT107204AEA0AEQNV000AFDA0	DAN0045412S	KCNBCHD5315	188,5	191,5	8,8	
DN 40	1" 1/2	ANSI 150	DT108104AEA0AEQNV000AFEA0	DAN0060412S	KCNCCHD5316	198,0	208,4	8,8	
DN 40	1" 1/2	ANSI 300	DT108204AEA0AEQNV000AFEA0	DAN0060412S	KCNCCHD5316	198,0	208,4	11,2	
DN 50	2"	ANSI 150	DT109104AEA0AEQNV000AFGA0	DAN0106411S	KCNCCHD5317	237,0	230,3	13,6	
DN 50	2"	ANSI 300	DT109204AEA0AEQNV000AFHA0	DAN0120411S	KCNCCHD5317	244,0	234,0	16,0	
DN 65	2" 1/2	ANSI 150	DT110104AEA0AEQNV000AFHA0	DAN0120411S	KCNDDHD5386	244,0	250,0	19,2	
DN 65	2" 1/2	ANSI 300	DT110204AEA0AEQNV000AFIA0	DAN0180411S	KCNDDHD5387	289,9	280,5	25,3	
DN 80	3"	ANSI 150	DT111104AEA0AEQNV000AFIA0	DAN0180411S	KCNDDHD5898	290,0	287,5	25,8	
DN 80	3"	ANSI 300	DT111204AEA0AEQNV000AFJA0	DAN0240411S	KCNDDHD5898	313,6	291,0	33,2	
DN 100	4"	ANSI 150	DT112104AEA0AEQNV000AFKA0	DAN0360411S	KCNEHD5901	339,3	339,0	41,8	
DN 100	4"	ANSI 300	DT112204AEA0AEQNV000AFLA0	DAN0480411S	KCNEFD5902	387,7	356,0	58,6	
DN 150	6"	ANSI 150	DT114104AEA0AEQNV000AFMA0	DAN0720411S	KCNFGHD5364	433,0	433,0	142,8	
DN 150	6"	ANSI 300	DT114204AEA0AEMNV000AFRA0	DAN1920411S	KCNGGHD5600	601,0	491,7	185,9	
DN 200	8"	ANSI 150	DT115104AEA0AEQNV000AFQA0	DAN1440411S	KCNGGHD5366	567,0	504,0	238,2	



**THOR SPLIT BODY ANSI 150-300**  
**ACCIAIO INOX DA FUSIONE CASTING STAINLESS STEEL**  
**CON ATTUATORE PNEUMATICO SR WITH SR PNEUMATIC ACTUATOR**



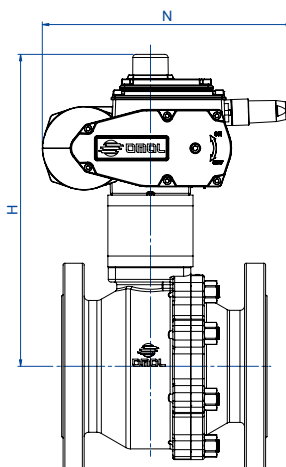
**CODICI ARTICOLI IN CF8M ACCIAIO INOX**

**ITEM CODES IN CF8M STAINLESS STEEL**

MISURA DN [mm]	SIZE [inch]	ANSI	CODICE ARTICOLO ITEM CODE	ATTUATORE ACTUATOR	KIT di montaggio Mounting KIT	N [mm]	H [mm]	Peso Kg Weight Kg
DN 15	1/2"	ANSI 150	ST104104AEA0ADQNV000AFCA0	SRN0015401S	KCNAAHD5312	233,2	161,2	3,4
DN 15	1/2"	ANSI 300	ST104204AEA0ADQNV000AFEAO	SRN0030402S	KCNACHD5324	258,8	182,4	4,9
DN 20	3/4"	ANSI 150	ST105104AEA0ADQNV000AFEAO	SRN0030402S	KCNACHD5324	258,8	185,4	4,9
DN 20	3/4"	ANSI 300	ST105204AEA0ADQNV000AFEAO	SRN0030402S	KCNACHD5324	258,8	185,4	6,1
DN 25	1"	ANSI 150	ST106104AEA0ADQNV000AFEAO	SRN0030402S	KCNBCHD5327	258,8	192,4	5,9
DN 25	1"	ANSI 300	ST106204AEA0ADQNV000AFEAO	SRN0030402S	KCNBCHD5327	258,8	192,4	7,2
DN 32	1"1/4	ANSI 150	ST107104AEA0ADQNV000AFGA0	SRN0053401S	KCNBCHD5328	304,2	210,3	7,1
DN 32	1"1/4	ANSI 300	ST107204AEA0AEQNV000AFGA0	SRN0053401S	KCNBCHD5328	304,2	210,3	10,5
DN 40	1"1/2	ANSI 150	ST108104AEA0AEQNV000AFHA0	SRN0060401S	KCNCCHD5317	338,5	225,0	10,6
DN 40	1"1/2	ANSI 300	ST108204AEA0AEQNV000AFHA0	SRN0060401S	KCNCCHD5317	338,5	225,0	13,0
DN 50	2"	ANSI 150	ST109104AEA0AEQNV000AFIA0	SRN0090401S	KCNCDHD5329	393,7	264,5	17,3
DN 50	2"	ANSI 300	ST109204AEA0AEQNV000AFJA0	SRN0120401S	KCNCDHD5329	409,6	268,0	20,5
DN 65	2"1/2	ANSI 150	ST110104AEA0AEQNV000AFJA0	SRN0120401S	KCNDDHD5387	409,6	284,1	23,4
DN 65	2"1/2	ANSI 300	ST110204AEA0AEQNV000AFKA0	SRN0180401S	KCNDDHD5387	474,0	291,0	37,4
DN 80	3"	ANSI 150	ST111104AEA0AEQNV000AFKA0	SRN0180401S	KCNDDHD5898	474,0	298,0	30,2
DN 80	3"	ANSI 300	ST111204AEA0AEQNV000AFLA0	SRN0240401S	KCNDDHD5898	520,5	335,0	40,0
DN 100	4"	ANSI 150	ST112104AEA0AEQNV000AFMA0	SRN0360401S	KCNEFHD5902	613,0	369,0	52,6
DN 100	4"	ANSI 300	ST112204AEA0AEQNV000AFNA0	SRN0480401S	KCNEFHD5903	648,2	389,0	73,0
DN 150	6"	ANSI 150	ST114104AEA0AEQNV000AFQA0	SRN0720401S	KCNGGHD5368	798,0	470,0	164,6
DN 150	6"	ANSI 300	ST114204AEA0AEMNV000AFVA0	SR1920E1608A	KCNGHHD5349	1001,0	568,5	221,0
DN 200	8"	ANSI 150	ST115104AEA0AEQNV000AFSA0	SR1440E16D8A	KCNGHHD5370	834,0	647,0	537,2



**THOR SPLIT BODY - ANSI 150-300**  
**ACCIAIO INOX DA FUSIONE CASTING STAINLESS STEEL**  
**CON ATTUATORE ELETTRICO WITH ELECTRIC ACTUATOR**



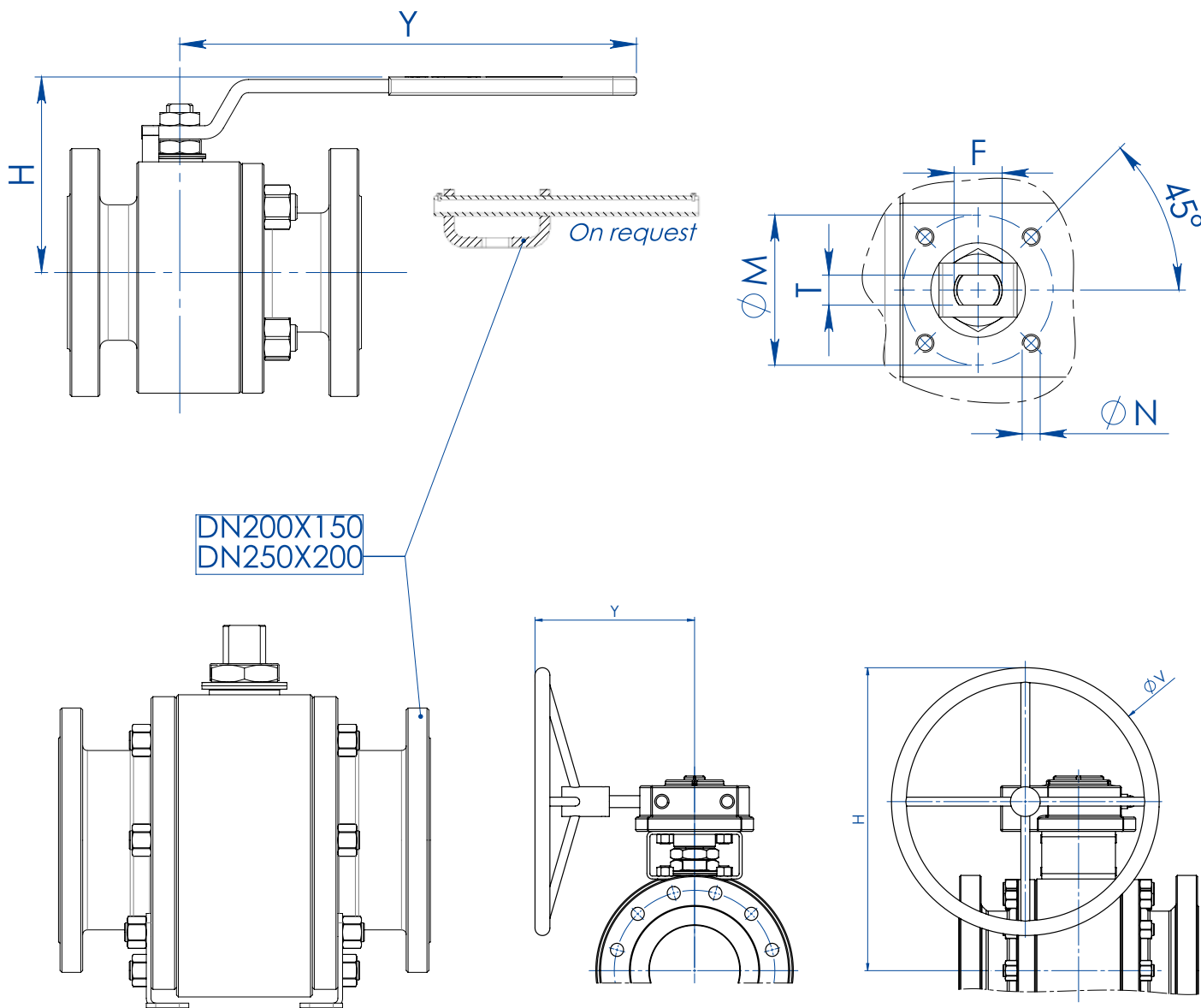
MISURA SIZE		ANSI	CODICE ARTICOLO ITEM CODE	ATTUATORE ACTUATOR	KIT di montaggio Mounting KIT	N [mm]	H [mm]	Peso Kg Weight Kg
DN [mm]	[inch]							
DN 15	1/2"	ANSI 150	ET104104AEA0ADQNV000AMEG0	EA0035A5C000	KCNACHD5324	229,0	229,0	6,0
DN 15	1/2"	ANSI 300	ET104204AEA0ADQNV000AMEG0	EA0035A5C000	KCNACHD5324	229,0	229,0	6,7
DN 20	3/4"	ANSI 150	ET105104AEA0ADQNV000AMEG0	EA0035A5C000	KCNACHD5324	232,0	232,0	6,7
DN 20	3/4"	ANSI 300	ET105204AEA0ADQNV000AMEG0	EA0035A5C000	KCNACHD5324	232,0	232,0	7,9
DN 25	1"	ANSI 150	ET106104AEA0ADQNV000AMEG0	EA0035A5C000	KCNBCHD5327	239,0	239,0	7,5
DN 25	1"	ANSI 300	ET106204AEA0ADQNV000AMEG0	EA0035A5C000	KCNBCHD5327	239,0	239,0	8,8
DN 32	1"1/4	ANSI 150	ET107104AEA0ADQNV000AMGG0	EA0070A5C000	KCNBCHD5327	244,0	244,0	8,9
DN 32	1"1/4	ANSI 300	ET107204AEA0AEQNV000AMGG0	EA0070A5C000	KCNBCHD5327	244,0	244,0	11,0
DN 40	1" 1/2	ANSI 150	ET108104AEA0AEQNV000AMGG0	EA0070A5C000	KCNCCHD5316	255,0	255,0	11,0
DN 40	1" 1/2	ANSI 300	ET108204AEA0AEQNV000AMGG0	EA0070A5C000	KCNCCHD5316	255,0	255,0	13,4
DN 50	2"	ANSI 150	ET109104AEA0AEQNV000AMIG0	EA0130A5C000	KCNCCHD5317	284,5	284,5	18,3
DN 50	2"	ANSI 300	ET109204AEA0AEQNV000AMIG0	EA0130A5C000	KCNCCHD5317	284,5	284,5	20,6
DN 65	2" 1/2	ANSI 150	ET110104AEA0AEQNV000AMIG0	EA0130A5C000	KCNDDHD5386	300,5	300,5	23,8
DN 65	2" 1/2	ANSI 300	ET110204AEA0AEQNV000AMKGG0	EA0240A5C000	KCNDDHD5387	300,5	300,5	28,2
DN 80	3"	ANSI 150	ET111104AEA0AEQNV000AMKGG0	EA0240A5C000	KCNDDHD5898	307,5	307,5	28,2
DN 80	3"	ANSI 300	ET111204AEA0AEQNV000AMKGG0	EA0240A5C000	KCNDDHD5898	307,5	313,5	35,9
DN 100	4"	ANSI 150	ET112104AEA0AEQNV000AMNA0	AE160040	KCNEEHV5337	376,0	376,0	44,0
DN 100	4"	ANSI 300	ET112204AEA0AEQNV000AMNA0	AE160040	KCNEEHV5337	376,0	376,0	57,3
DN 150	6"	ANSI 150	ET114104AEA0AEQNV000AMTA0	AE160100	KCNFGHV5372	468,0	488,0	115,9
DN 150	6"	ANSI 300	ET114204AEA0AEMNV000AMXA0	AE160200	KCNFGHV5374	468,0	488,0	138,7
DN 200	8"	ANSI 150	ET115104AEA0AEQNV000AMTA0	AE160100	KCNFGHV5375	506,0	522,0	188,8





# THOR SPLIT BODY ANSI 150-300

## PASSAGGIO RIDOTTO *REDUCED BORE*



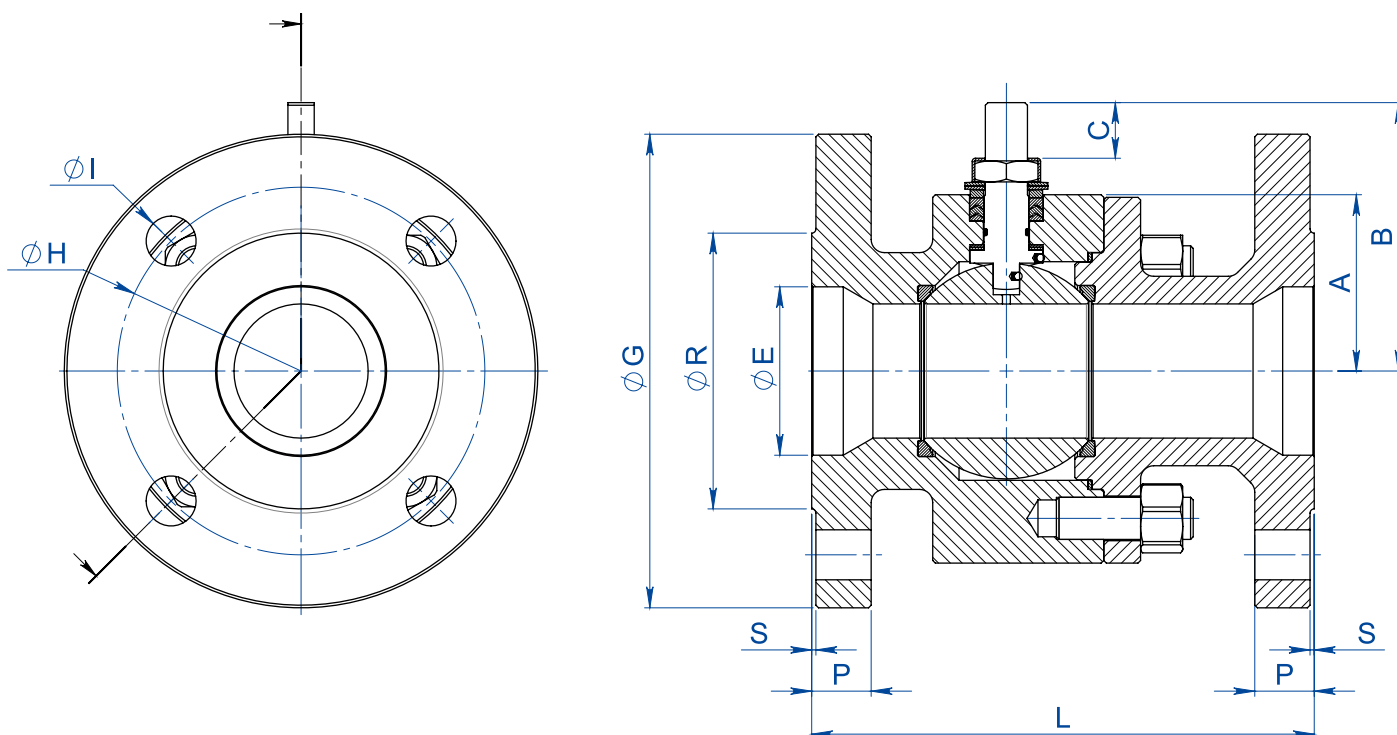
MISURA SIZE		DIMENSIONI DIMENSIONS							
DN [mm]	[inch]	H	Y	ØV	ØM	ØN	F/T	ATT. ISO	KIT LEVA LEVER KIT
DN 20x15	3/4" x 1/2"	71	140	---	36	M5	10/6	F03	KLV58004
DN 25x20	1" x 3/4"	73	140	---	36	M5	10/6	F03	KLV58004
DN 32x25	1" 1/4 x 1"	87	150	---	42	M5	12/8	F04	KLV58006
DN 40x32	1" 1/2 x 1" 1/4	91	150	---	42	M5	12/8	F04	KLV58006
DN 50x40	2" x 1" 1/2	108	275	---	50	M6	16/10	F05	KLV58008
DN 65x50	2" 1/2 x 2"	118	275	---	50	M6	16/10	F05	KLV58008
DN 80x65	3" x 2" 1/2	143	350	---	70	M8	22/14	F07	KLV58010
DN 100x80	4" x 3"	150	350	---	70	M8	22/14	F07	KLV58010
DN 125x100	5" x 4"	198	450	---	102	M10	30/18	F10	KLV58012
DN 150x100	6" x 4"	208	450	---	102	M10	30/18	F10	KLV58012
DN 200x150 ANSI 150 (*)	8" x 6"	522	326	400	140	M16	45/30	F14	---
DN 200x150 ANSI 300	8" x 6"	522	347,5	600	140	M16	45/30	F14	---
DN 250x200 ANSI 150 (*)	10" x 8"	516	347	500	140	M16	52/35	F14	---

Versione STANDARD con riduttore manuale per DN200x150 e DN250x200. STANDARD version with manual gearbox for DN200x150 and DN250x200.  
 (\*) A RICHIESTA versione con leva. ON REQUEST version with manual lever.



# THOR SPLIT BODY ANSI 150-300

## PASSAGGIO RIDOTTO *REDUCED BORE*



MISURA SIZE		DIMENSIONI DIMENSIONS														
DN [mm]	[inch]	ANSI	ØE	A	B	C	ØG	ØR	S	P	ØH	N°FORI HOLES N°	ØI	Kg	L	KIT GUARNIZIONI SEALS KIT
DN 20x15	3/4" x 1/2"	150	19	32	52	10	100	42,9	1,6	13	69,8	4	16	2,9	117 (3)	KGBV485040
DN 20x15	3/4" x 1/2"	300	19	32	52	10	118	42,9	1,6	16,6	82,6	4	19	4,1	152 (3)	KGBV485040
DN 25x20	1" x 3/4"	150	25	35	55	10	110	50,8	1,6	14,5	79,2	4	16	3,9	127 (3)	KGBV485050
DN 25x20	1" x 3/4"	300	25	35	55	10	125	50,8	1,6	18	88,9	4	19	5,2	165 (3)	KGBV485050
DN 32x25	1" 1/4 x 1"	150	32	42	68	15	118	63,5	1,6	16,1	88,9	4	16	5,1	140 (3)	KGBV485060
DN 32x25	1" 1/4 x 1"	300	32	42	68	15	135	63,5	1,6	19,5	98,6	4	19	7	178 (3)	KGBV485060
DN 40x32	1" 1/2 x 1" 1/4	150	38	47	73	15	128	73	1,6	18	98,6	4	16	7,7	165 (3)	KGBV485070
DN 40x32	1" 1/2 x 1" 1/4	300	38	47	73	15	155	73	1,6	21	114,3	4	22	10,8	190 (3)	KGBV485070
DN 50x40	2" x 1" 1/2	150	51	58	93	21	153	91,9	1,6	19,6	120,6	4	19	11,8	178 (4)	KGBV485080
DN 50x40	2" x 1" 1/2	300	51	58	93	21	165	91,9	1,6	22,6	127	8	19	14,1	216 (4)	KGBV485080
DN 65x50	2" 1/2 x 2"	150	64	67	102	21	180	104,6	1,6	22,6	139,7	4	19	18,3	191 (4)	KGBV485090
DN 65x50	2" 1/2 x 2"	300	64	67	102	21	190	104,6	1,6	26,1	149,4	8	22	21,5	241 (4)	KGBV485090
DN 80x65	3" x 2" 1/2	150	76	83	130,5	28,4	190	127	1,6	24	152,4	4	19	25,6	203 (4)	KGBV485100
DN 80x65	3" x 2" 1/2	300	76	83	130,5	28,4	210	127	1,6	29	168,1	8	22	33,6	282 (4)	KGBV485100
DN 100x80	4" x 3"	150	102	90	137,5	28,4	230	157,2	1,6	24,6	190,5	8	19	35,9	229 (4)	KGBV485110
DN 100x80	4" x 3"	300	102	96	137,5	28,4	255	157,2	1,6	32,6	200,2	8	22	50,5	305 (4)	KGBV485110
DN 125x100	5" x 4"	150	118	111	172	35	255	185,7	1,6	24,6	215,9	8	22	53	254 (3)	KGBV485120
DN 125x100	5" x 4"	300	118	111	172	35	280	185,7	1,6	36,6	215,9	8	22	78,9	381 (3)	KGBV485120
DN 150x100	6" x 4"	150	152	111	172	35	280	215,9	1,6	25,6	241,3	8	22	67,7	394 (4)	KGBV485120
DN 150x100	6" x 4"	300	152	111	172	35	320	215,9	1,6	37,6	269,7	12	22	91,4	403 (4)	KGBV485120
DN 200x150(*)	8" x 6"	150	203	154	227,5	40,5	345	269,7	1,6	29	298,4	8	22	151,5	457 (4)	KGBV485140
DN 200x150	8" x 6"	300	203	154	227,5	40,5	381	269,7	1,6	42,5	330,2	12	25,4	184	502	KGBV48514D
DN 250x200(*)	10" x 8"	150	254	188	274	44,8	407	323,8	1,6	31	362	12	25,4	246	533 (4)	KGBV485150

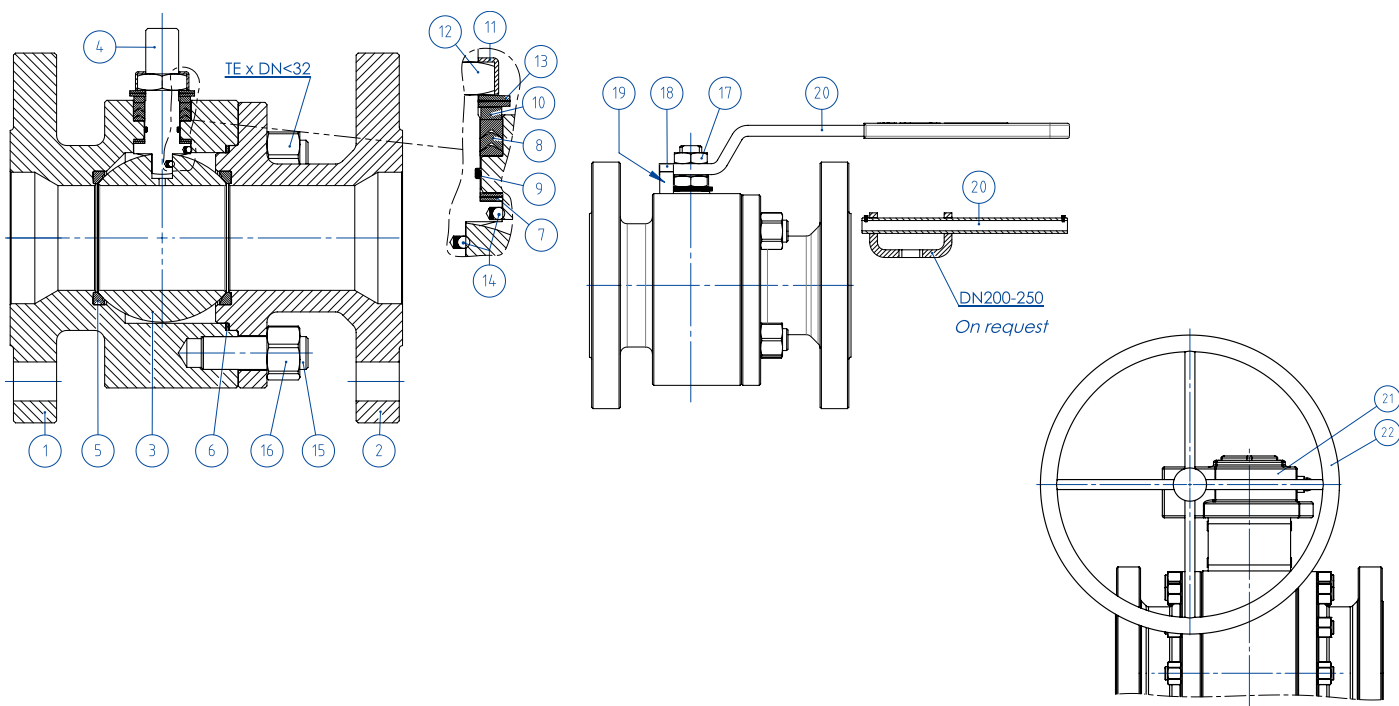
Versione STANDARD con riduttore manuale per DN200x150 e DN250x200. STANDARD version with manual gearbox for DN200x150 and DN250x200.

(\*) A RICHIESTA versione con leva. ON REQUEST version with manual lever.

(3) ANSI B16.10  
(4) B16.10 / API6D



**THOR SPLIT BODY - ANSI 150-300 - PASSAGGIO RIDOTTO REDUCED BORE**  
**ACCIAIO AL CARBONIO CARBON STEEL**  
**TABELLA DEI MATERIALI MATERIALS TABLE**



**MATERIALI MATERIALS**  
**SPLIT BODY ANSI 150-300 acciaio al carbonio carbon steel**

N°	Descrizione Description	A105 Carbon steel	A350 LF2 Carbon steel
1	Corpo Body	ASTM A105	ASTM A350 LF2
2	Terminale Connector		
3	Sfera Ball	ASTM A351 CF8 (*) (1.4308/Gx5CrNi19-10)	
4	Stelo Stem	ASTM A182F6A / A479 Tp.410 (**)	
5*	Seggio Seat	PTFE Modificato Modified PTFE (2)	
6*	Guarnizione corpo-terminale Body-connector gasket	GRAFOIL	
7*	Tenuta inferiore stelo Stem lower sealing	PTFE Modificato Modified PTFE (.)	
8*	Pacco a V Chevron rings	PTFE Modificato Modified PTFE (.)	
9*	O-ring stelo Stem o-ring	FKM (.)	
10	Anello premiguarnizione Packing gland ring	Acciaio al carbonio zincato Carbon steel galvanized (x) (1)	
11	Piastra blocca dado Stop nut plate	304 S.S.	
12	Dado stelo Stem nut	Acciaio al carbonio zincato Carbon steel galvanized (x)	
13	Molle a tazza Springs washer	Acciaio al carbonio zincato Carbon steel galvanized (xx)	
14	Dispositivo antistatico Antistatic device	316 S.S.	
15	Tiranti Stud bolt	ASTM A193-B7	A320-L7M
16	Dadi Nut	ASTM A194-Gr.2H	A194-Gr.7M
17	Controdado Lock nut	Acciaio al carbonio zincato Carbon steel galvanized (x)	
18	Vite di fermo Holder screw	A2-70 (304 S.S.)	
19	Fermo di posizione Holder screw	Acciaio al carbonio zincato Carbon steel galvanized (x)	
20	Leva Lever	Acciaio al carbonio zincato Carbon steel galvanized (x)	
21	Riduttore Gear box	Ghisa (verniciato) Cast iron (painted)	
22	Volantino Handwheel	Acciaio al carbonio verniciato Carbon steel painted	

\* Componenti del kit di guarnizioni Components of seals kit

A richiesta disponibile in: Available on request:

(\*): A351 CF8M

(\*\*): A564 TP.630 (17-4PH)

(x): 304 s.s.

(xx): 301 s.s.

(1): per DN200x150 & DN250x200 disponibile solo in 304 S.S. for DN200x150 & DN250x200 available only in 304 S.S.

(2) DEVLON per DN200x150 ANSI300 DEVLON for DN200x150 ANSI300

(.): Altri materiali disponibili a richiesta Other materials available on request



**THOR SPLIT BODY - ANSI 150-300 - PASSAGGIO RIDOTTO REDUCED BORE**  
**ACCIAIO AL CARBONIO CARBON STEEL**  
**ASSE LIBERO E CON LEVA FREE SHAFT AND WITH LEVER**



**CODICI VALVOLE IN ACCIAIO AL CARBONIO: ASSE LIBERO (V\_) - CON LEVA (L\_) - CON RIDUTTORE (R\_)**  
**CARBON STEEL VALVE CODE: FREE SHAFT (V\_) - WITH LEVER (L\_) - WITH GEARBOX (R\_)**

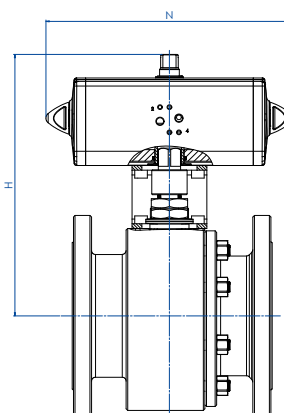
MISURA SIZE		ANSI	A105 Carbon steel	LF2 Carbon steel
DN [mm]	SIZE [inch]			
DN 20x15	3/4" x 1/2"	ANSI 150	V/LT135104CAB0BFQNV00B	V/LT135104CBB0BHQNV00B
DN 20x15	3/4" x 1/2"	ANSI 300	V/LT135204CAB0BFQNV00B	V/LT135204CBB0BHQNV00B
DN 25x20	1" x 3/4"	ANSI 150	V/LT136104CAB0BFQNV00B	V/LT136104CBB0BHQNV00B
DN 25x20	1" x 3/4"	ANSI 300	V/LT136204CAB0BFQNV00B	V/LT136204CBB0BHQNV00B
DN 32x25	1" 1/4 x 1"	ANSI 150	V/LT137104CAB0BFQNV00B	V/LT137104CBB0BHQNV00B
DN 32x25	1" 1/4 x 1"	ANSI 300	V/LT137204CAB0BFQNV00B	V/LT137204CBB0BHQNV00B
DN 40x32	1" 1/2 x 1" 1/4	ANSI 150	V/LT138104CAB0BFQNV00B	V/LT138104CBB0BHQNV00B
DN 40x32	1" 1/2 x 1" 1/4	ANSI 300	V/LT138204CAB0BGQNV00B	V/LT138204CBB0BIQNV00B
DN 50x40	2" x 1" 1/2	ANSI 150	V/LT139104CAB0BGQNV00B	V/LT139104CBB0BIQNV00B
DN 50x40	2" x 1" 1/2	ANSI 300	V/LT139204CAB0BGQNV00B	V/LT139204CBB0BIQNV00B
DN 65x50	2" 1/2 x 2"	ANSI 150	V/LT140104CAB0BGQNV00B	V/LT140104CBB0BIQNV00B
DN 65x50	2" 1/2 x 2"	ANSI 300	V/LT140204CAB0BGQNV00B	V/LT140204CBB0BIQNV00B
DN 80x65	3" x 2" 1/2	ANSI 150	V/LT141104CAB0BGQNV00B	V/LT141104CBB0BIQNV00B
DN 80x65	3" x 2" 1/2	ANSI 300	V/LT141204CAB0BGQNV00B	V/LT141204CBB0BIQNV00B
DN 100x80	4" x 3"	ANSI 150	V/LT142104CAB0BGQNV00B	V/LT142104CBB0BIQNV00B
DN 100x80	4" x 3"	ANSI 300	V/LT142204CAB0BGQNV00B	V/LT142204CBB0BIQNV00B
DN 125x100	5" x 4"	ANSI 150	V/LT143104CAB0BGQNV00B	V/LT143104CBB0BIQNV00B
DN 125x100	5" x 4"	ANSI 300	V/LT143204CAB0BGQNV00B	V/LT143204CBB0BIQNV00B
DN 150x100	6" x 4"	ANSI 150	V/LT174104CAB0BGQNV00B	V/LT174104CBB0BIQNV00B
DN 150x100	6" x 4"	ANSI 300	V/LT174204CAB0BGQNV00B	V/LT174204CBB0BIQNV00B
DN 200X150(*)	8" x 6"	ANSI 150	V/RT145104CAB0BGQNV00B	V/RT145104CBB0BIQNV00B
DN 200X150	8" x 6"	ANSI 300	V/RT145204CAB0BGMNV00B	V/RT145204CBB0BIMNV00B
DN 250X200(*)	10" x 8"	ANSI 150	V/RT146104CAB0BGQNV00B	V/RT146104CBB0BIQNV00B

DN250X200 ANSI300 disponibile a magazzino, contattare ufficio commerciale per verifica condizioni operative.  
 DN250X200 ANSI300 on stock, check with our sales department for operating conditions.

Versione STANDARD con riduttore manuale per DN200x150 e DN250x200. STANDARD version with manual gearbox for DN200x150 and DN250x200.  
 (\*) A RICHIESTA versione con leva. ON REQUEST version with manual lever.



**THOR SPLIT BODY - ANSI 150-300 - PASSAGGIO RIDOTTO REDUCED BORE**  
**ACCIAIO AL CARBONIO CARBON STEEL**  
**CON ATTUATORE PNEUMATICO DA WITH DA PNEUMATIC ACTUATOR**



**CODICI ARTICOLI IN A105 ACCIAIO AL CARBONIO ITEM CODES IN A105 CARBON STEEL**

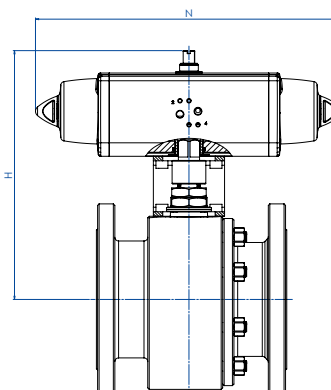
MISURA SIZE		ANSI	CODICE ARTICOLO ITEM CODE	ATTUATORE ACTUATOR	KIT di montaggio Mounting KIT	N [mm]	H [mm]	Kg
DN [mm]	[inch]							
DN20X15	3/4" x 1/2"	ANSI 150	DT135104CAB0BFQNV00BAFBA0	DAN0015411S	KCNAAMD5312	159,0	154,2	4,0
DN20X15	3/4" x 1/2"	ANSI 300	DT135204CAB0BFQNV00BAFCA0	DAN0030411S	KCNAAMD5312	174,2	161,2	5,5
DN25X20	1" x 3/4"	ANSI 150	DT136104CAB0BFQNV00BAFCA0	DAN0030411S	KCNAAMD5312	174,2	164,2	5,3
DN25X20	1" x 3/4"	ANSI 300	DT136204CAB0BFQNV00BAFCA0	DAN0030411S	KCNAAMD5312	174,2	164,2	6,6
DN32X25	1" 1/4 x 1"	ANSI 150	DT137104CAB0BFQNV00BAFCA0	DAN0030411S	KCNBCHD5315	174,2	181,2	6,7
DN32X25	1" 1/4 x 1"	ANSI 300	DT137204CAB0BFQNV00BAFCA0	DAN0030411S	KCNBCHD5315	174,2	181,2	8,6
DN40X32	1" 1/2 x 1" 1/4	ANSI 150	DT138104CAB0BFQNV00BAFDA0	DAN0045412S	KCNBCHD5315	188,5	191,5	9,5
DN40X32	1" 1/2 x 1" 1/4	ANSI 300	DT138204CAB0BQNV00BAFDA0	DAN0045412S	KCNBCHD5315	188,5	191,5	12,6
DN50X40	2" x 1" 1/2	ANSI 150	DT139104CAB0BQNV00BAFEA0	DAN0060412S	KCNCCHD5316	198,0	208,4	14,1
DN50X40	2" x 1" 1/2	ANSI 300	DT139204CAB0BQNV00BAFEA0	DAN0060412S	KCNCCHD5316	198,0	208,4	16,4
DN65X50	2" 1/2 x 2"	ANSI 150	DT140104CAB0BQNV00BAFGA0	DAN0106411S	KCNCCHD5317	237,0	230,3	21,6
DN65X50	2" 1/2 x 2"	ANSI 300	DT140204CAB0BQNV00BAFHA0	DAN0120411S	KCNCCHD5317	244,1	234,0	24,9
DN80X65	3" x 2" 1/2	ANSI 150	DT141104CAB0BQNV00BAFHA0	DAN0120411S	KCNDDHD5386	244,1	250,0	29,1
DN80X65	3" x 2" 1/2	ANSI 300	DT141204CAB0BQNV00BAFIA0	DAN0180411S	KCNDDHD5319	289,9	280,5	39,3
DN100X80	4" x 3"	ANSI 150	DT142104CAB0BQNV00BAFIA0	DAN0180411S	KCNDDHD5319	289,9	287,5	41,6
DN100X80	4" x 3"	ANSI 300	DT142204CAB0BQNV00BAFJA0	DAN0240411S	KCNDDHD5320	313,6	297,1	57,6
DN125X100	5" x 4"	ANSI 150	DT143104CAB0BQNV00BAFKA0	DAN0360411S	KCNEEHD5379	339,3	339,0	61,3
DN125X100	5" x 4"	ANSI 300	DT143204CAB0BQNV00BAFLA0	DAN0480411S	KCNEFHD5322	387,6	355,9	91,1
DN150X100	6" x 4"	ANSI 150	DT174104CAB0BQNV00BAFKA0	DAN0360411S	KCNEEHD5379	339,3	339,0	76,0
DN150X100	6" x 4"	ANSI 300	DT174204CAB0BQNV00BAFLA0	DAN0480411S	KCNEFHD5322	387,6	355,9	103,6
DN200X150	8" x 6"	ANSI 150	DT145104CAB0BQNV00BAFMA0	DAN0720411S	KCNFGHD5364	433,1	432,0	168,3
DN200X150	8" x 6"	ANSI 300	DT145204CAB0BGMNV00BAFRA0	DAN1920411S	KCNGGHD5600	601,0	491,7	222,9
DN250X200	10" x 8"	ANSI 150	DT146104CAB0BQNV00BAFQA0	DAN1440411S	KCNGGHD5366	567,1	504,0	274,2

**CODICI ARTICOLI IN LF2 ACCIAIO AL CARBONIO ITEM CODES IN LF2 CARBON STEEL**

MISURA SIZE		ANSI	CODICE ARTICOLO ITEM CODE	ATTUATORE ACTUATOR	KIT di montaggio Mounting KIT	N [mm]	H [mm]	Kg
DN [mm]	[inch]							
DN20X15	3/4" x 1/2"	ANSI 150	DT135104CBB0BHQNV00BAFBA0	DAN0015411S	KCNAAMD5312	159,0	154,2	4,0
DN20X15	3/4" x 1/2"	ANSI 300	DT135204CBB0BHQNV00BAFCA0	DAN0030411S	KCNAAMD5312	174,2	161,2	5,5
DN25X20	1" x 3/4"	ANSI 150	DT136104CBB0BHQNV00BAFCA0	DAN0030411S	KCNAAMD5312	174,2	164,2	5,3
DN25X20	1" x 3/4"	ANSI 300	DT136204CBB0BHQNV00BAFCA0	DAN0030411S	KCNAAMD5312	174,2	164,2	6,6
DN32X25	1" 1/4 x 1"	ANSI 150	DT137104CBB0BHQNV00BAFCA0	DAN0030411S	KCNBCHD5315	174,2	181,2	6,7
DN32X25	1" 1/4 x 1"	ANSI 300	DT137204CBB0BHQNV00BAFCA0	DAN0030411S	KCNBCHD5315	174,2	181,2	8,6
DN40X32	1" 1/2 x 1" 1/4	ANSI 150	DT138104CBB0BHQNV00BAFDA0	DAN0045412S	KCNBCHD5315	188,5	191,5	9,5
DN40X32	1" 1/2 x 1" 1/4	ANSI 300	DT138204CBB0BIQNV00BAFDA0	DAN0045412S	KCNBCHD5315	188,5	191,5	12,6
DN50X40	2" x 1" 1/2	ANSI 150	DT139104CBB0BIQNV00BAFEA0	DAN0060412S	KCNCCHD5316	198,0	208,4	14,1
DN50X40	2" x 1" 1/2	ANSI 300	DT139204CBB0BIQNV00BAFEA0	DAN0060412S	KCNCCHD5316	198,0	208,4	16,4
DN65X50	2" 1/2 x 2"	ANSI 150	DT140104CBB0BIQNV00BAFGA0	DAN0106411S	KCNCCHD5317	237,0	230,3	21,6
DN65X50	2" 1/2 x 2"	ANSI 300	DT140204CBB0BIQNV00BAFHA0	DAN0120411S	KCNCCHD5317	244,1	234,0	24,9
DN80X65	3" x 2" 1/2	ANSI 150	DT141104CBB0BIQNV00BAFHA0	DAN0120411S	KCNDDHD5386	244,1	250,0	29,1
DN80X65	3" x 2" 1/2	ANSI 300	DT141204CBB0BIQNV00BAFIA0	DAN0180411S	KCNDDHD5319	289,9	280,5	39,3
DN100X80	4" x 3"	ANSI 150	DT142104CBB0BIQNV00BAFIA0	DAN0180411S	KCNDDHD5319	289,9	287,5	41,6
DN100X80	4" x 3"	ANSI 300	DT142204CBB0BIQNV00BAFJA0	DAN0240411S	KCNDDHD5320	313,6	297,1	57,6
DN125X100	5" x 4"	ANSI 150	DT143104CBB0BIQNV00BAFKA0	DAN0360411S	KCNEEHD5379	339,3	339,0	61,3
DN125X100	5" x 4"	ANSI 300	DT143204CBB0BIQNV00BAFLA0	DAN0480411S	KCNEFHD5322	387,6	355,9	91,1
DN150X100	6" x 4"	ANSI 150	DT174104CBB0BIQNV00BAFKA0	DAN0360411S	KCNEEHD5379	339,3	339,0	76,0
DN150X100	6" x 4"	ANSI 300	DT174204CBB0BIQNV00BAFLA0	DAN0480411S	KCNEFHD5322	387,6	355,9	103,6
DN200X150	8" x 6"	ANSI 150	DT145104CBB0BIQNV00BAFMA0	DAN0720411S	KCNFGHD5364	433,1	432,0	168,3
DN200X150	8" x 6"	ANSI 300	DT145204CBB0BIMNV00BAFRA0	DAN1920411S	KCNGGHD5600	601,0	491,7	222,9
DN250X200	10" x 8"	ANSI 150	DT146104CBB0BIQNV00BAFQA0	DAN1440411S	KCNGGHD5366	567,1	504,0	274,2



## THOR SPLIT BODY - ANSI 150-300 - PASSAGGIO RIDOTTO REDUCED BORE ACCIAIO AL CARBONIO CARBON STEEL CON ATTUATORE PNEUMATICO SR WITH SR PNEUMATIC ACTUATOR



### CODICI ARTICOLI IN A105 ACCIAIO AL CARBONIO ITEM CODES IN A105 CARBON STEEL

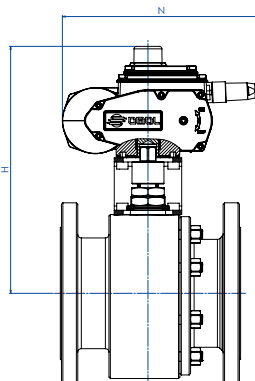
MISURA SIZE		ANSI	CODICE ARTICOLO ITEM CODE	ATTUATORE ACTUATOR	KIT di montaggio Mounting KIT	N [mm]	H [mm]	Kg
DN [mm]	[inch]							
DN20X15	3/4" x 1/2"	ANSI 150	ST135104CAB0BFQNV00BAFCA0	SRN0015401S	KCNAHD5312	233,2	161,2	4,5
DN20X15	3/4" x 1/2"	ANSI 300	ST135204CAB0BFQNV00BAFEA0	SRN0030402S	KCNACHD5324	258,8	182,4	6,6
DN25X20	1" x 3/4"	ANSI 150	ST136104CAB0BFQNV00BAFEA0	SRN0030402S	KCNACHD5324	258,8	185,4	6,4
DN25X20	1" x 3/4"	ANSI 300	ST136204CAB0BFQNV00BAFEA0	SRN0030402S	KCNACHD5324	258,8	185,4	7,7
DN32X25	1" 1/4 x 1"	ANSI 150	ST137104CAB0BFQNV00BAFEA0	SRN0030402S	KCNBCHD5327	258,8	192,4	7,7
DN32X25	1" 1/4 x 1"	ANSI 300	ST137204CAB0BFQNV00BAFEA0	SRN0030402S	KCNBCHD5327	258,8	192,4	9,6
DN40X32	1" 1/2 x 1" 1/4	ANSI 150	ST138104CAB0BFQNV00BAFGA0	SRN0053401S	KCNBCHD5328	304,2	210,3	11,4
DN40X32	1" 1/2 x 1" 1/4	ANSI 300	ST138204CAB0BGQNV00BAFGA0	SRN0053401S	KCNBCHD5328	304,2	210,3	14,5
DN50X40	2" x 1" 1/2	ANSI 150	ST139104CAB0BGQNV00BAFHA0	SRN0060401S	KCNCHD5317	338,5	225,0	15,9
DN50X40	2" x 1" 1/2	ANSI 300	ST139204CAB0BGQNV00BAFHA0	SRN0060401S	KCNCHD5317	338,5	225,0	18,2
DN65X50	2" 1/2 x 2"	ANSI 150	ST140104CAB0BGQNV00BAFIA0	SRN0090401S	KCNCDHD5329	393,7	264,5	25,3
DN65X50	2" 1/2 x 2"	ANSI 300	ST140204CAB0BGQNV00BAFJA0	SRN0120401S	KCNCDHD5329	409,6	268,1	29,4
DN80X65	3" x 2" 1/2	ANSI 150	ST141104CAB0BGQNV00BAFJA0	SRN0120401S	KCNDDHD5387	409,6	284,1	33,4
DN80X65	3" x 2" 1/2	ANSI 300	ST141204CAB0BGQNV00BAFKA0	SRN0180401S	KCNDDHD5319	474,0	291,0	43,6
DN100X80	4" x 3"	ANSI 150	ST142104CAB0BGQNV00BAFKA0	SRN0180401S	KCNDDHD5319	474,0	298,0	45,9
DN100X80	4" x 3"	ANSI 300	ST142204CAB0BGQNV00BAFLA0	SRN0240401S	KCNDEHD5331	520,5	341,0	64,2
DN125X100	5" x 4"	ANSI 150	ST143104CAB0BGQNV00BAFMA0	SRN0360401S	KCNEFHD5322	613,0	369,0	72,1
DN125X100	5" x 4"	ANSI 300	ST143204CAB0BGQNV00BAFNA0	SRN0480401S	KCNEFHD5392	648,2	389,0	104,7
DN150X100	6" x 4"	ANSI 150	ST174104CAB0BGQNV00BAFMA0	SRN0360401S	KCNEFHD5322	613,0	369,0	86,8
DN150X100	6" x 4"	ANSI 300	ST174204CAB0BGQNV00BAFNA0	SRN0480401S	KCNEFHD5392	648,2	389,0	117,2
DN200X150	8" x 6"	ANSI 150	ST145104CAB0BGQNV00BAFQA0	SRN0720401S	KCNGGHD5368	798,0	470,0	189,5
DN200X150	8" x 6"	ANSI 300	ST145204CAB0BGMNV00BAFVA0	SR1920E1608A	KCNGGHD5349	1001,0	568,5	257,9
DN250X200	10" x 8"	ANSI 150	ST146104CAB0BGQNV00BAFSA0	SR1440E16D8A	KCNGGHD5370	834,0	647,0	326,2

### CODICI ARTICOLI IN LF2 ACCIAIO AL CARBONIO ITEM CODES IN LF2 CARBON STEEL

MISURA SIZE		ANSI	CODICE ARTICOLO ITEM CODE	ATTUATORE ACTUATOR	KIT di montaggio Mounting KIT	N [mm]	H [mm]	Kg
DN [mm]	[inch]							
DN20X15	3/4" x 1/2"	ANSI 150	ST135104CBB0BHQNV00BAFCA0	SRN0015401S	KCNAHD5312	233,2	161,2	4,5
DN20X15	3/4" x 1/2"	ANSI 300	ST135204CBB0BHQNV00BAFEA0	SRN0030402S	KCNACHD5324	258,8	182,4	6,6
DN25X20	1" x 3/4"	ANSI 150	ST136104CBB0BHQNV00BAFEA0	SRN0030402S	KCNACHD5324	258,8	185,4	6,4
DN25X20	1" x 3/4"	ANSI 300	ST136204CBB0BHQNV00BAFEA0	SRN0030402S	KCNACHD5324	258,8	185,4	7,7
DN32X25	1" 1/4 x 1"	ANSI 150	ST137104CBB0BHQNV00BAFEA0	SRN0030402S	KCNBCHD5327	258,8	192,4	7,7
DN32X25	1" 1/4 x 1"	ANSI 300	ST137204CBB0BHQNV00BAFEA0	SRN0030402S	KCNBCHD5327	258,8	192,4	9,6
DN40X32	1" 1/2 x 1" 1/4	ANSI 150	ST138104CBB0BHQNV00BAFGA0	SRN0053401S	KCNBCHD5328	304,2	210,3	11,4
DN40X32	1" 1/2 x 1" 1/4	ANSI 300	ST138204CBB0BIQNV00BAFGA0	SRN0053401S	KCNBCHD5328	304,2	210,3	14,5
DN50X40	2" x 1" 1/2	ANSI 150	ST139104CBB0BIQNV00BAFHA0	SRN0060401S	KCNCHD5317	338,5	225,0	15,9
DN50X40	2" x 1" 1/2	ANSI 300	ST139204CBB0BIQNV00BAFHA0	SRN0060401S	KCNCHD5317	338,5	225,0	18,2
DN65X50	2" 1/2 x 2"	ANSI 150	ST140104CBB0BIQNV00BAFIA0	SRN0090401S	KCNCDHD5329	393,7	264,5	25,3
DN65X50	2" 1/2 x 2"	ANSI 300	ST140204CBB0BIQNV00BAFJA0	SRN0120401S	KCNCDHD5329	409,6	268,1	29,4
DN80X65	3" x 2" 1/2	ANSI 150	ST141104CBB0BIQNV00BAFJA0	SRN0120401S	KCNDDHD5387	409,6	284,1	33,4
DN80X65	3" x 2" 1/2	ANSI 300	ST141204CBB0BIQNV00BAFKA0	SRN0180401S	KCNDDHD5319	474,0	291,0	43,6
DN100X80	4" x 3"	ANSI 150	ST142104CBB0BIQNV00BAFKA0	SRN0180401S	KCNDDHD5319	474,0	298,0	45,9
DN100X80	4" x 3"	ANSI 300	ST142204CBB0BIQNV00BAFLA0	SRN0240401S	KCNDEHD5331	520,5	341,0	64,2
DN125X100	5" x 4"	ANSI 150	ST143104CBB0BIQNV00BAFMA0	SRN0360401S	KCNEFHD5322	613,0	369,0	72,1
DN125X100	5" x 4"	ANSI 300	ST143204CBB0BIQNV00BAFNA0	SRN0480401S	KCNEFHD5392	648,2	389,0	104,7
DN150X100	6" x 4"	ANSI 150	ST174104CBB0BIQNV00BAFMA0	SRN0360401S	KCNEFHD5322	613,0	369,0	86,8
DN150X100	6" x 4"	ANSI 300	ST174204CBB0BIQNV00BAFNA0	SRN0480401S	KCNEFHD5392	648,2	389,0	117,2
DN200X150	8" x 6"	ANSI 150	ST145104CBB0BIQNV00BAFQA0	SRN0720401S	KCNGGHD5368	798,0	470,0	189,5
DN200X150	8" x 6"	ANSI 300	ST145204CBB0BIMNV00BAFVA0	SR1920E1608A	KCNGGHD5349	1001,0	568,5	257,9
DN250X200	10" x 8"	ANSI 150	ST146104CBB0BIQNV00BAFSA0	SR1440E16D8A	KCNGGHD5370	834,0	647,0	326,2



**THOR SPLIT BODY - ANSI 150-300 - PASSAGGIO RIDOTTO REDUCED BORE**  
**ACCIAIO AL CARBONIO CARBON STEEL**  
**CON ATTUATORE ELETTRICO WITH ELECTRIC ACTUATOR**



**CODICI ARTICOLI IN A105 ACCIAIO AL CARBONIO ITEM CODES IN A105 CARBON STEEL**

MISURA SIZE		ANSI	CODICE ARTICOLO ITEM CODE	ATTUATORE ACTUATOR	KIT di montaggio Mounting KIT	N [mm]	H [mm]	Kg
DN [mm]	SIZE [inch]							
DN20X15	3/4" x 1/2"	ANSI 150	ET135104CAB0BFQNV00BAMEGO	EA0035A5C000	KCNACHD5324	250,0	229,0	7,1
DN20X15	3/4" x 1/2"	ANSI 300	ET135204CAB0BFQNV00BAMEGO	EA0035A5C000	KCNACHD5324	250,0	229,0	8,3
DN25X20	1" x 3/4"	ANSI 150	ET136104CAB0BFQNV00BAMEGO	EA0035A5C000	KCNACHD5324	250,0	232,0	8,1
DN25X20	1" x 3/4"	ANSI 300	ET136204CAB0BFQNV00BAMEGO	EA0035A5C000	KCNACHD5324	250,0	232,0	9,4
DN32X25	1" 1/4 x 1"	ANSI 150	ET137104CAB0BFQNV00BAMEGO	EA0035A5C000	KCNBCHD5327	250,0	239,0	9,3
DN32X25	1" 1/4 x 1"	ANSI 300	ET137204CAB0BFQNV00BAMEGO	EA0035A5C000	KCNBCHD5327	250,0	239,0	11,2
DN40X32	1" 1/2 x 1" 1/4	ANSI 150	ET138104CAB0BFQNV00BAMGG0	EA0070A5C000	KCNBCHD5327	250,0	244,0	12,1
DN40X32	1" 1/2 x 1" 1/4	ANSI 300	ET138204CAB0BGQNV00BAMGG0	EA0070A5C000	KCNBCHD5327	250,0	244,0	15,2
DN50X40	2" x 1" 1/2	ANSI 150	ET139104CAB0BGQNV00BAMGG0	EA0070A5C000	KCNCCHD5316	250,0	255,0	16,3
DN50X40	2" x 1" 1/2	ANSI 300	ET139204CAB0BGQNV00BAMGG0	EA0070A5C000	KCNCCHD5316	250,0	255,0	18,6
DN65X50	2" 1/2 x 2"	ANSI 150	ET140104CAB0BGQNV00BAMIG0	EA0130A5C000	KCNCCHD5317	280,0	284,5	26,3
DN65X50	2" 1/2 x 2"	ANSI 300	ET140204CAB0BGQNV00BAMIG0	EA0130A5C000	KCNCCHD5317	280,0	284,5	29,5
DN80X65	3" x 2" 1/2	ANSI 150	ET141104CAB0BGQNV00BAMIG0	EA0130A5C000	KCNDDHD5386	280,0	300,5	33,7
DN80X65	3" x 2" 1/2	ANSI 300	ET141204CAB0BGQNV00BAMKGO	EA0240A5C000	KCNDDHD5319	280,0	300,5	42,2
DN100X80	4" x 3"	ANSI 150	ET142104CAB0BGQNV00BAMKGO	EA0240A5C000	KCNDDHD5319	280,0	307,5	44,5
DN100X80	4" x 3"	ANSI 300	ET142204CAB0BGQNV00BAMKGO	EA0240A5C000	KCNDDHD5320	280,0	313,5	59,7
DN125X100	5" x 4"	ANSI 150	ET143104CAB0BGQNV00BAMNA0	AE160040	KCNNEHV5337	256,5	376,0	64,1
DN125X100	5" x 4"	ANSI 300	ET143204CAB0BGQNV00BAMNA0	AE160040	KCNNEHV5337	256,5	376,0	90,0
DN150X100	6" x 4"	ANSI 150	ET174104CAB0BGQNV00BAMNA0	AE160040	KCNNEHV5337	256,5	376,0	78,8
DN150X100	6" x 4"	ANSI 300	ET174204CAB0BGQNV00BAMNA0	AE160040	KCNNEHV5337	256,5	376,0	102,5
DN200X150	8" x 6"	ANSI 150	ET145104CAB0BGQNV00BAMTA0	AE160100	KCNFGHV5372	381,0	488,0	178,7
DN200X150	8" x 6"	ANSI 300	ET145204CAB0BGMNV00BAMXA0	AE160200	KCNFGHV5374	381,0	488,0	212,7
DN250X200	10" x 8"	ANSI 150	ET146104CAB0BGQNV00BAMTA0	AE160100	KCNFGHV5375	381,0	522,0	272,7

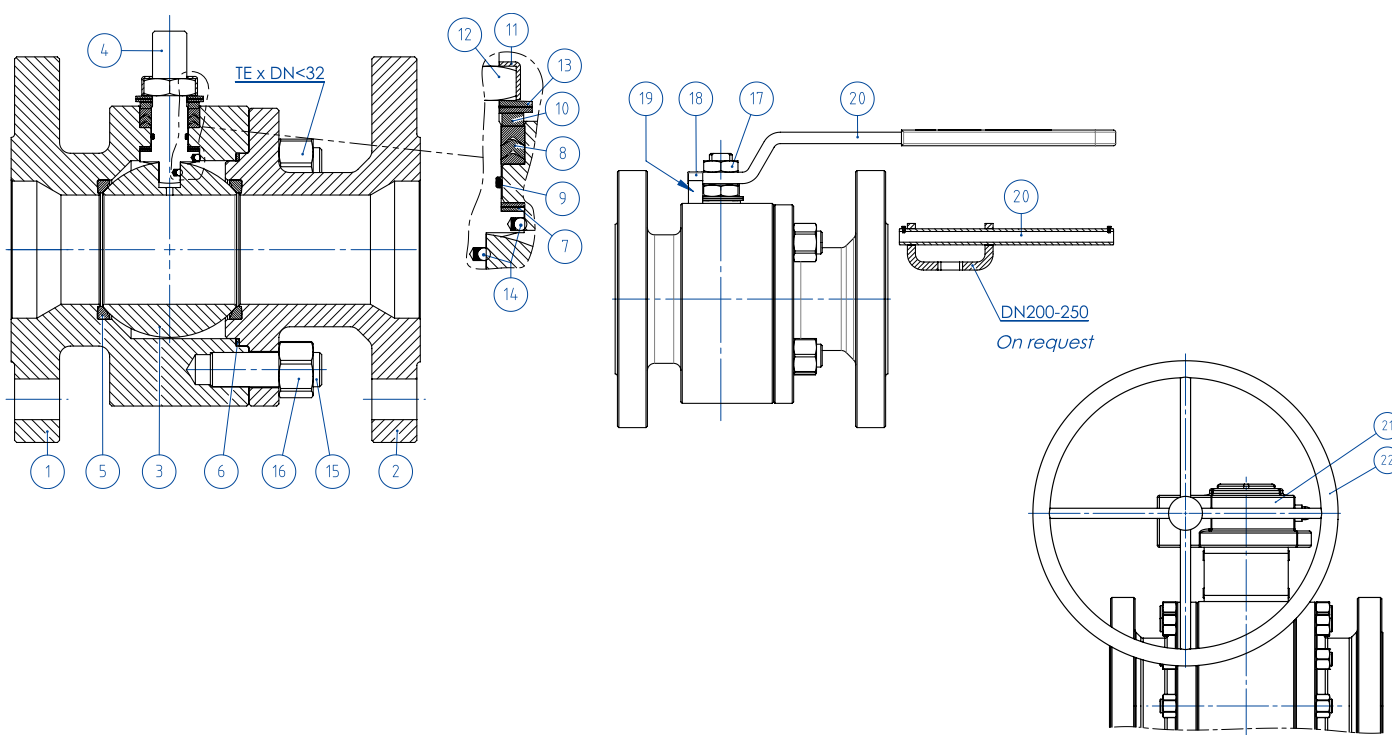
**CODICI ARTICOLI IN LF2 ACCIAIO AL CARBONIO ITEM CODES IN LF2 CARBON STEEL**

MISURA SIZE		ANSI	CODICE ARTICOLO ITEM CODE	ATTUATORE ACTUATOR	KIT di montaggio Mounting KIT	N [mm]	H [mm]	Kg
DN [mm]	SIZE [inch]							
DN20X15	3/4" x 1/2"	ANSI 150	ET135104CBB0BHQNV00BAMEGO	EA0035A5C000	KCNACHD5324	250,0	229,0	7,1
DN20X15	3/4" x 1/2"	ANSI 300	ET135204CBB0BHQNV00BAMEGO	EA0035A5C000	KCNACHD5324	250,0	229,0	8,3
DN25X20	1" x 3/4"	ANSI 150	ET136104CBB0BHQNV00BAMEGO	EA0035A5C000	KCNACHD5324	250,0	232,0	8,1
DN25X20	1" x 3/4"	ANSI 300	ET136204CBB0BHQNV00BAMEGO	EA0035A5C000	KCNACHD5324	250,0	232,0	9,4
DN32X25	1" 1/4 x 1"	ANSI 150	ET137104CBB0BHQNV00BAMEGO	EA0035A5C000	KCNBCHD5327	250,0	239,0	9,3
DN32X25	1" 1/4 x 1"	ANSI 300	ET137204CBB0BHQNV00BAMEGO	EA0035A5C000	KCNBCHD5327	250,0	239,0	11,2
DN40X32	1" 1/2 x 1" 1/4	ANSI 150	ET138104CBB0BHQNV00BAMGG0	EA0070A5C000	KCNBCHD5327	250,0	244,0	12,1
DN40X32	1" 1/2 x 1" 1/4	ANSI 300	ET138204CBB0BHQNV00BAMGG0	EA0070A5C000	KCNBCHD5327	250,0	244,0	15,2
DN50X40	2" x 1" 1/2	ANSI 150	ET139104CBB0BIQNV00BAMGG0	EA0070A5C000	KCNCCHD5316	250,0	255,0	16,3
DN50X40	2" x 1" 1/2	ANSI 300	ET139204CBB0BIQNV00BAMGG0	EA0070A5C000	KCNCCHD5316	250,0	255,0	18,6
DN65X50	2" 1/2 x 2"	ANSI 150	ET140104CBB0BIQNV00BAMIG0	EA0130A5C000	KCNCCHD5317	280,0	284,5	26,3
DN65X50	2" 1/2 x 2"	ANSI 300	ET140204CBB0BIQNV00BAMIG0	EA0130A5C000	KCNCCHD5317	280,0	284,5	29,5
DN80X65	3" x 2" 1/2	ANSI 150	ET141104CBB0BIQNV00BAMIG0	EA0130A5C000	KCNDDHD5386	280,0	300,5	33,7
DN80X65	3" x 2" 1/2	ANSI 300	ET141204CBB0BIQNV00BAMKGO	EA0240A5C000	KCNDDHD5319	280,0	300,5	42,2
DN100X80	4" x 3"	ANSI 150	ET142104CBB0BIQNV00BAMKGO	EA0240A5C000	KCNDDHD5319	280,0	307,5	44,5
DN100X80	4" x 3"	ANSI 300	ET142204CBB0BIQNV00BAMKGO	EA0240A5C000	KCNDDHD5320	280,0	313,5	59,7
DN125X100	5" x 4"	ANSI 150	ET143104CBB0BIQNV00BAMNA0	AE160040	KCNNEHV5337	256,5	376,0	64,1
DN125X100	5" x 4"	ANSI 300	ET143204CBB0BIQNV00BAMNA0	AE160040	KCNNEHV5337	256,5	376,0	90,0
DN150X100	6" x 4"	ANSI 150	ET174104CBB0BIQNV00BAMNA0	AE160040	KCNNEHV5337	256,5	376,0	78,8
DN150X100	6" x 4"	ANSI 300	ET174204CBB0BIQNV00BAMNA0	AE160040	KCNNEHV5337	256,5	376,0	102,5
DN200X150	8" x 6"	ANSI 150	ET145104CBB0BIQNV00BAMTA0	AE160100	KCNFGHV5372	381,0	488,0	178,7
DN200X150	8" x 6"	ANSI 300	ET145204CBB0BIMNV00BAMXA0	AE160200	KCNFGHV5374	381,0	488,0	212,7
DN250X200	10" x 8"	ANSI 150	ET146104CBB0BIQNV00BAMTA0	AE160100	KCNFGHV5375	381,0	522,0	272,7

Articoli disponibili anche con attuatore modulante Items available also with modulating actuator



## THOR SPLIT BODY - ANSI 150-300 - PASSAGGIO RIDOTTO *REDUCED BORE* ACCIAIO INOX *STAINLESS STEEL* TABELLA DEI MATERIALI *MATERIALS TABLE*



### MATERIALI *MATERIALS* ANSI 150-300 *DA BARRA* *FROM BAR*

N°	Descrizione <i>Description</i>	316 Stainless steel
1	Corpo <i>Body</i>	ASTM A 182 F316 / A479TP316 (1.4401 / X5CrNiMo 17-12-2)
2	Terminale <i>Connector</i>	
3	Sfera <i>Ball</i>	ASTM A351 CF8M (1.4408/Gx5CrNiMo19-12-2)
4	Stelo <i>Stem</i>	A564 TP.630 (17-4PH)
5*	Seggio <i>Seat</i>	PTFE Modificato <i>Modified PTFE</i> (2)
6*	Guarnizione corpo terminale <i>Body-Connector gasket</i>	GRAFOIL
7*	Tenuta inferiore stelo <i>Stem lower sealing</i>	PTFE Modificato <i>Modified PTFE</i> (.)
8*	Guarnizioni tipo Chevron <i>Chevron seals</i>	PTFE Modificato <i>Modified PTFE</i> (.)
9*	O-ring stelo <i>Stem o-ring</i>	FKM (.)
10	Anello premi guarnizione <i>Packing gland ring</i>	304 S.S.
11	Piastra blocca dado <i>Stop nut plate</i>	304 S.S.
12	Dado stelo <i>Stem nut</i>	Acciaio al carbonio zincato <i>Carbon steel galvanized</i> (x)
13	Molle a tazza <i>Springs washer</i>	Acciaio al carbonio zincato <i>Carbon steel galvanized</i> (xx)
14	Dispositivo antistatico <i>Antistatic device</i>	316 S.S.
15	Tiranti <i>Stud bolt</i>	ASTM A193-B8
16	Dadi <i>Nut</i>	ASTM A194-Gr.8
17	Controdado <i>Lock nut</i>	Acciaio al carbonio zincato <i>Carbon steel galvanized</i> (x)
18	Vite di fermo <i>Holder screw</i>	A2-70 (304 S.S.)
19	Fermo di posizione <i>Holder screw</i>	Acciaio al carbonio zincato <i>Carbon steel galvanized</i> (x)
20	Leva <i>Lever</i>	Acciaio al carbonio zincato <i>Carbon steel galvanized</i> (x)
21	Riduttore <i>Gear box</i>	Ghisa (verniciato) <i>Cast iron (painted)</i>
22	Volantino <i>Handwheel</i>	Acciaio al carbonio verniciato <i>Carbon steel painted</i>

\* Componenti del kit di guarnizioni *Components of seals kit*

A richiesta disponibile in: *Available on request:*

(x): 304 s.s.

(xx): 301 s.s.

(2) DEVLON per DN200x150 ANSI300 *DEVLOX for DN200x150 ANSI300*

(.): Altri materiali disponibili a richiesta *Other materials available on request*



**THOR SPLIT BODY - ANSI 150-300 - PASSAGGIO RIDOTTO REDUCED BORE**  
**ACCIAIO INOX STAINLESS STEEL**  
**ASSE LIBERO E CON LEVA FREE SHAFT AND WITH LEVER**



**CODICI VALVOLE IN ACCIAIO INOX: ASSE LIBERO (V\_) - CON LEVA (L\_) - CON RIDUTTORE (R\_)**  
**STAINLESS STEEL VALVE CODE: FREE SHAFT (V\_) - WITH LEVER (L\_) - WITH GEARBOX (R\_)**

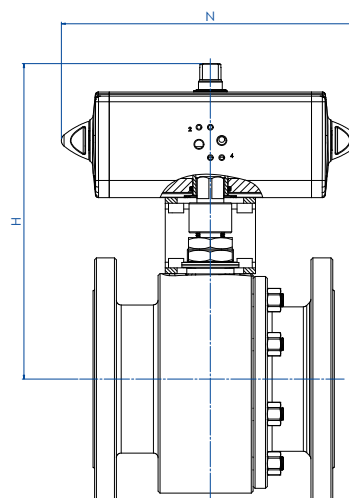
MISURA SIZE		ANSI	316 Stainless steel
DN [mm]	[inch]		
DN 20x15	3/4" x 1/2"	ANSI 150	V/LT135104ABA0ADQNV000
DN 20x15	3/4" x 1/2"	ANSI 300	V/LT135204ABA0ADQNV000
DN 25x20	1" x 3/4"	ANSI 150	V/LT136104ABA0ADQNV000
DN 25x20	1" x 3/4"	ANSI 300	V/LT136204ABA0ADQNV000
DN 32x25	1" 1/4 x 1"	ANSI 150	V/LT137104ABA0ADQNV000
DN 32x25	1" 1/4 x 1"	ANSI 300	V/LT137204ABA0ADQNV000
DN 40x32	1" 1/2 x 1" 1/4	ANSI 150	V/LT138104ABA0ADQNV000
DN 40x32	1" 1/2 x 1" 1/4	ANSI 300	V/LT138204ABA0AEQNV000
DN 50x40	2" x 1" 1/2	ANSI 150	V/LT139104ABA0AEQNV000
DN 50x40	2" x 1" 1/2	ANSI 300	V/LT139204ABA0AEQNV000
DN 65x50	2" 1/2 x 2"	ANSI 150	V/LT140104ABA0AEQNV000
DN 65x50	2" 1/2 x 2"	ANSI 300	V/LT140204ABA0AEQNV000
DN 80x65	3" x 2" 1/2	ANSI 150	V/LT141104ABA0AEQNV000
DN 80x65	3" x 2" 1/2	ANSI 300	V/LT141204ABA0AEQNV000
DN 100x80	4" x 3"	ANSI 150	V/LT142104ABA0AEQNV000
DN 100x80	4" x 3"	ANSI 300	V/LT142204ABA0AEQNV000
DN 125x100	5" x 4"	ANSI 150	V/LT143104ABA0AEQNV000
DN 125x100	5" x 4"	ANSI 300	V/LT143204ABA0AEQNV000
DN 150x100	6" x 4"	ANSI 150	V/LT174104ABA0AEQNV000
DN 150x100	6" x 4"	ANSI 300	V/LT174204ABA0AEQNV000
DN200X150(*)	8" x 6"	ANSI 150	V/RT145104ABA0AEQNV000
DN200X150	8" x 6"	ANSI 300	V/RT145204ABA0AEMNV000
DN250X200(*)	10" x 8"	ANSI 150	V/RT146104ABA0AEQNV000

DN250X200 ANSI300 disponibile a magazzino, contattare ufficio commerciale per verifica condizioni operative.  
 DN250X200 ANSI300 on stock, check with our sales department for operating conditions.

Versione STANDARD con riduttore manuale per DN200x150 e DN250x200. STANDARD version with manual gearbox for DN200x150 and DN250x200.  
 (\*) A RICHIESTA versione con leva. ON REQUEST version with manual lever.



**THOR SPLIT BODY - ANSI 150-300 - PASSAGGIO RIDOTTO REDUCED BORE**  
**ACCIAIO INOX STAINLESS STEEL**  
**CON ATTUATORE PNEUMATICO DA WITH DA PNEUMATIC ACTUATOR**

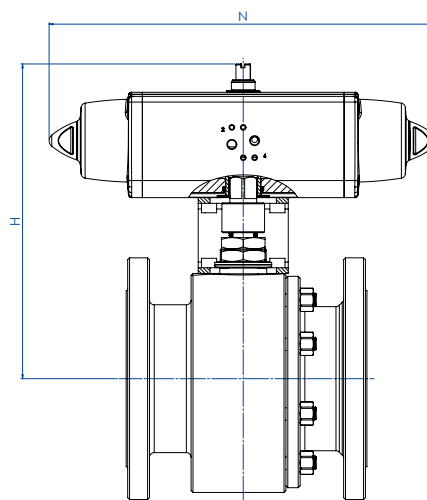


**CODICI ARTICOLI IN 316 ACCIAIO INOX ITEM CODES IN 316 STAINLESS STEEL**

MISURA SIZE		ANSI	CODICE ARTICOLO -316- ITEM CODE -316-	ATTUATORE ACTUATOR	KIT di montaggio Mounting KIT	N [mm]	H [mm]	Peso Kg Weight Kg
DN [mm]	inch							
DN20X15	3/4" x 1/2"	150	DT135104ABA0ADQNV000AFBA0	DAN0015411S	KCNAHD5312	159,0	154,2	4,0
DN20X15	3/4" x 1/2"	300	DT135204ABA0ADQNV000AFCA0	DAN0030411S	KCNAHD5312	174,2	161,2	5,5
DN25X20	1" x 3/4"	150	DT136104ABA0ADQNV000AFCA0	DAN0030411S	KCNAHD5312	174,2	164,2	5,3
DN25X20	1" x 3/4"	300	DT136204ABA0ADQNV000AFCA0	DAN0030411S	KCNAHD5312	174,2	164,2	6,6
DN32X25	1" 1/4 x 1"	150	DT137104ABA0ADQNV000AFCA0	DAN0030411S	KCNBCHD5315	174,2	181,2	6,7
DN32X25	1" 1/4 x 1"	300	DT137204ABA0ADQNV000AFCA0	DAN0030411S	KCNBCHD5315	174,2	181,2	8,6
DN40X32	1" 1/2 x 1" 1/4	150	DT138104ABA0ADQNV000AFDA0	DAN0045412S	KCNBCHD5315	188,5	191,5	9,5
DN40X32	1" 1/2 x 1" 1/4	300	DT138204ABA0AEQNV000AFDA0	DAN0045412S	KCNBCHD5315	188,5	191,5	12,6
DN50X40	2" x 1" 1/2	150	DT139104ABA0AEQNV000AFEAO	DAN0060412S	KCNCCHD5316	198,0	208,4	14,1
DN50X40	2" x 1" 1/2	300	DT139204ABA0AEQNV000AFEAO	DAN0060412S	KCNCCHD5316	198,0	208,4	16,4
DN65X50	2" 1/2 x 2"	150	DT140104ABA0AEQNV000AFGA0	DAN0106411S	KCNCCHD5317	237,0	230,3	21,6
DN65X50	2" 1/2 x 2"	300	DT140204ABA0AEQNV000AFHA0	DAN0120411S	KCNCCHD5317	244,1	234,0	24,9
DN80X65	3" x 2" 1/2	150	DT141104ABA0AEQNV000AFHA0	DAN0120411S	KCNDDHD5386	244,1	250,0	29,1
DN80X65	3" x 2" 1/2	300	DT141204ABA0AEQNV000AFIA0	DAN0180411S	KCNDDHD5319	289,9	280,5	39,3
DN100X80	4" x 3"	150	DT142104ABA0AEQNV000AFIA0	DAN0180411S	KCNDDHD5319	289,9	287,5	41,6
DN100X80	4" x 3"	300	DT142204ABA0AEQNV000AFJA0	DAN0240411S	KCNDDHD5320	313,6	297,1	57,6
DN125X100	5" x 4"	150	DT143104ABA0AEQNV000AFKA0	DAN0360411S	KCNEEHD5379	339,3	339,0	61,3
DN125X100	5" x 4"	300	DT143204ABA0AEQNV000AFLA0	DAN0480411S	KCNEEHD5322	387,6	355,9	91,1
DN150X100	6" x 4"	150	DT174104ABA0AEQNV000AFKA0	DAN0360411S	KCNEEHD5379	339,3	339,0	76,0
DN150X100	6" x 4"	300	DT174204ABA0AEQNV000AFLA0	DAN0480411S	KCNEEHD5322	387,6	355,9	103,6
DN200X150	8" x 6"	150	DT145104ABA0AEQNV000AFMA0	DAN0720411S	KCNFGHD5364	433,1	432,0	168,3
DN200X150	8" x 6"	300	DT145204ABA0AEMNV000AFRA0	DAN1920411S	KCNGGHD5600	601,0	491,7	222,9
DN250X200	10" x 8"	150	DT146104ABA0AEQNV000AFQA0	DAN1440411S	KCNGGHD5366	567,1	504,0	274,2



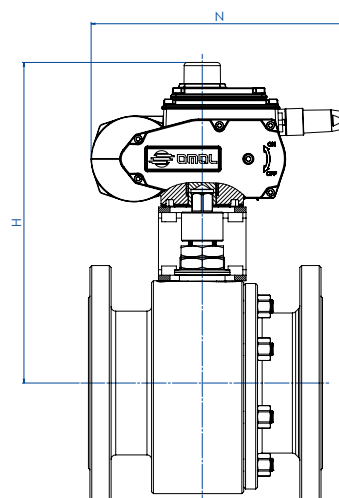
**THOR SPLIT BODY - ANSI 150-300 - PASSAGGIO RIDOTTO REDUCED BORE**  
**ACCIAIO INOX STAINLESS STEEL**  
**CON ATTUATORE PNEUMATICO SR WITH SR PNEUMATIC ACTUATOR**



MISURA SIZE		ANSI	CODICE ARTICOLO -316- ITEM CODE -316-	ATTUATORE ACTUATOR	KIT di montaggio Mounting KIT	N [mm]	H [mm]	Peso Kg Weight Kg
DN [mm]	SIZE [inch]							
DN20X15	3/4" x 1/2"	150	ST135104ABA0ADQNV000AFCA0	SRN0015401S	KCNAHD5312	233,2	161,2	4,5
DN20X15	3/4" x 1/2"	300	ST135204ABA0ADQNV000AFEAO	SRN0030402S	KCNACHD5324	258,8	182,4	6,6
DN25X20	1" x 3/4"	150	ST136104ABA0ADQNV000AFEAO	SRN0030402S	KCNACHD5324	258,8	185,4	6,4
DN25X20	1" x 3/4"	300	ST136204ABA0ADQNV000AFEAO	SRN0030402S	KCNACHD5324	258,8	185,4	7,7
DN32X25	1" 1/4 x 1"	150	ST137104ABA0ADQNV000AFEAO	SRN0030402S	KCNBCHD5327	258,8	192,4	7,7
DN32X25	1" 1/4 x 1"	300	ST137204ABA0ADQNV000AFEAO	SRN0030402S	KCNBCHD5327	258,8	192,4	9,6
DN40X32	1" 1/2 x 1" 1/4	150	ST138104ABA0ADQNV000AFGA0	SRN0053401S	KCNBCHD5328	304,2	210,3	11,4
DN40X32	1" 1/2 x 1" 1/4	300	ST138204ABA0AEQNV000AFGA0	SRN0053401S	KCNBCHD5328	304,2	210,3	14,5
DN50X40	2" x 1" 1/2	150	ST139104ABA0AEQNV000AFHA0	SRN0060401S	KCNCCHD5317	338,5	225,0	15,9
DN50X40	2" x 1" 1/2	300	ST139204ABA0AEQNV000AFHA0	SRN0060401S	KCNCCHD5317	338,5	225,0	18,2
DN65X50	2" 1/2 x 2"	150	ST140104ABA0AEQNV000AFIA0	SRN0090401S	KCNCDHD5329	393,7	264,5	25,3
DN65X50	2" 1/2 x 2"	300	ST140204ABA0AEQNV000AFJA0	SRN0120401S	KCNCDHD5329	409,6	268,1	29,4
DN80X65	3" x 2" 1/2	150	ST141104ABA0AEQNV000AFJA0	SRN0120401S	KCNDDHD5387	409,6	284,1	33,4
DN80X65	3" x 2" 1/2	300	ST141204ABA0AEQNV000AFKA0	SRN0180401S	KCNDDHD5319	474,0	291,0	43,6
DN100X80	4" x 3"	150	ST142104ABA0AEQNV000AFKA0	SRN0180401S	KCNDDHD5319	474,0	298,0	45,9
DN100X80	4" x 3"	300	ST142204ABA0AEQNV000AFLAO	SRN0240401S	KCNDEHD5331	520,5	341,0	64,2
DN125X100	5" x 4"	150	ST143104ABA0AEQNV000AFMA0	SRN0360401S	KCNEFHD5322	613,0	369,0	72,1
DN125X100	5" x 4"	300	ST143204ABA0AEQNV000AFNA0	SRN0480401S	KCNEFHD5392	648,2	389,0	104,7
DN150X100	6" x 4"	150	ST174104ABA0AEQNV000AFMA0	SRN0360401S	KCNEFHD5322	613,0	369,0	86,8
DN150X100	6" x 4"	300	ST174204ABA0AEQNV000AFNA0	SRN0480401S	KCNEFHD5392	648,2	389,0	117,2
DN200X150	8" x 6"	150	ST145104ABA0AEQNV000AFQA0	SRN0720401S	KCNGGHD5368	798,0	470,0	189,5
DN200X150	8" x 6"	300	ST145204ABA0AEMNV000AFVA0	SR1920E1608A	KCNGHHD5349	1001,0	568,5	257,9
DN250X200	10" x 8"	150	ST146104ABA0AEQNV000AFSA0	SR1440E16D8A	KCNGHHD5370	834,0	647,0	326,2



## THOR SPLIT BODY - ANSI 150-300 - PASSAGGIO RIDOTTO *REDUCED BORE* ACCIAIO INOX *STAINLESS STEEL* CON ATTUATORE ELETTRICO *WITH ELECTRIC ACTUATOR*

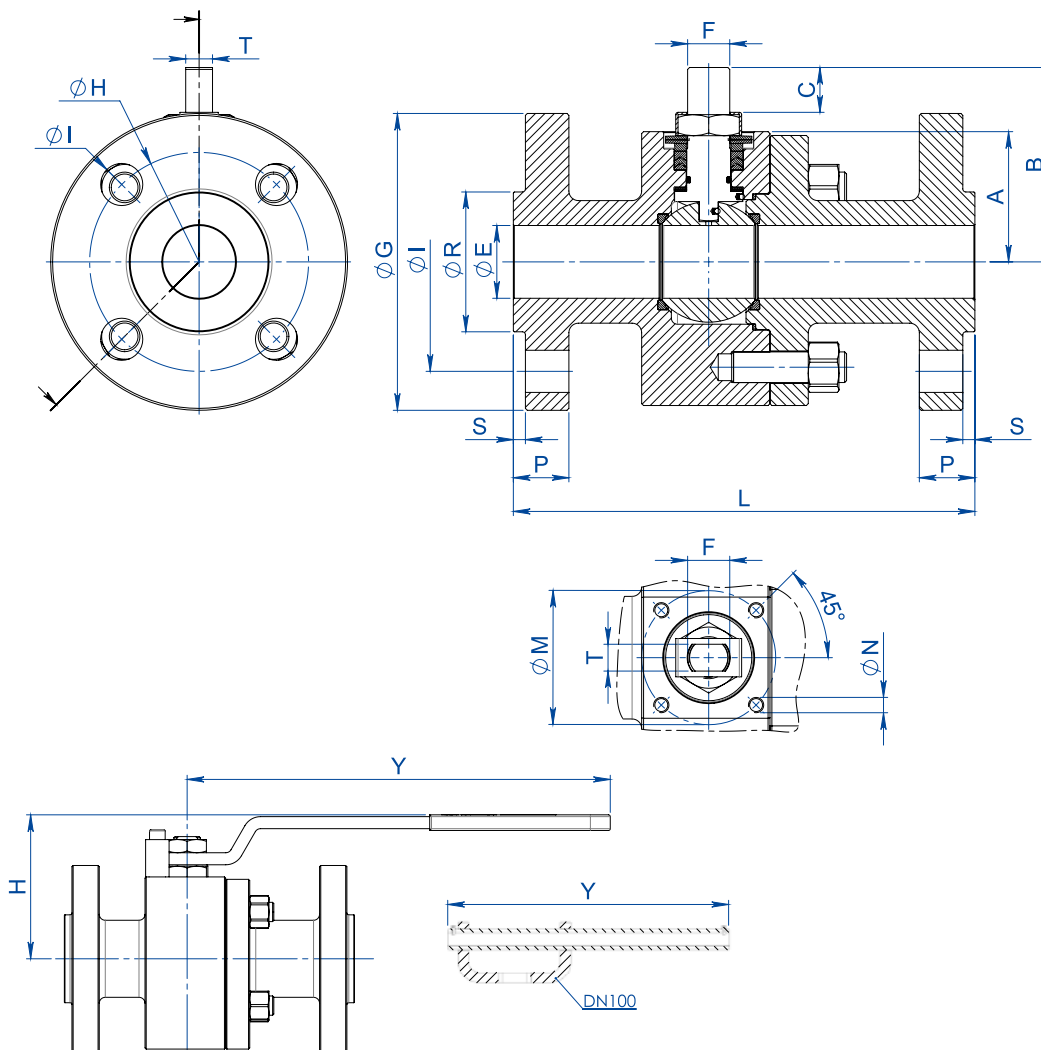


### CODICI ARTICOLI IN 316 ACCIAIO INOX *ITEM CODES IN 316 STAINLESS STEEL*

MISURA <i>SIZE</i>		ANSI	CODICE ARTICOLO -316- <i>ITEM CODE -316-</i>	ATTUATORE <i>ACTUATOR</i>	KIT di montaggio <i>Mounting KIT</i>	N [mm]	H [mm]	Peso Kg <i>Weight Kg</i>
DN [mm]	[inch]							
DN20X15	3/4" x 1/2"	150	ET135104ABA0ADQNV000AMEGO	EA0035A5C000	KCNACHD5324	250,0	229,0	7,1
DN20X15	3/4" x 1/2"	300	ET135204ABA0ADQNV000AMEGO	EA0035A5C000	KCNACHD5324	250,0	229,0	8,3
DN25X20	1" x 3/4"	150	ET136104ABA0ADQNV000AMEGO	EA0035A5C000	KCNACHD5324	250,0	232,0	8,1
DN25X20	1" x 3/4"	300	ET136204ABA0ADQNV000AMEGO	EA0035A5C000	KCNACHD5324	250,0	232,0	9,4
DN32X25	1" 1/4 x 1"	150	ET137104ABA0ADQNV000AMEGO	EA0035A5C000	KCNBCHD5327	250,0	239,0	9,3
DN32X25	1" 1/4 x 1"	300	ET137204ABA0ADQNV000AMEGO	EA0035A5C000	KCNBCHD5327	250,0	239,0	11,2
DN40X32	1" 1/2 x 1" 1/4	150	ET138104ABA0ADQNV000AMGG0	EA0070A5C000	KCNBCHD5327	250,0	244,0	12,1
DN40X32	1" 1/2 x 1" 1/4	300	ET138204ABA0AEQNV000AMGG0	EA0070A5C000	KCNBCHD5327	250,0	244,0	15,2
DN50X40	2" x 1" 1/2	150	ET139104ABA0AEQNV000AMGG0	EA0070A5C000	KCNCCHD5316	250,0	255,0	16,3
DN50X40	2" x 1" 1/2	300	ET139204ABA0AEQNV000AMGG0	EA0070A5C000	KCNCCHD5316	250,0	255,0	18,6
DN65X50	2" 1/2 x 2"	150	ET140104ABA0AEQNV000AMIG0	EA0130A5C000	KCNCCHD5317	280,0	284,5	26,3
DN65X50	2" 1/2 x 2"	300	ET140204ABA0AEQNV000AMIG0	EA0130A5C000	KCNCCHD5317	280,0	284,5	29,5
DN80X65	3" x 2" 1/2	150	ET141104ABA0AEQNV000AMIG0	EA0130A5C000	KCNDDHD5386	280,0	300,5	33,7
DN80X65	3" x 2" 1/2	300	ET141204ABA0AEQNV000AMKGO	EA0240A5C000	KCNDDHD5319	280,0	300,5	42,2
DN100X80	4" x 3"	150	ET142104ABA0AEQNV000AMKGO	EA0240A5C000	KCNDDHD5319	280,0	307,5	44,5
DN100X80	4" x 3"	300	ET142204ABA0AEQNV000AMKGO	EA0240A5C000	KCNDDHD5320	280,0	313,5	59,7
DN125X100	5" x 4"	150	ET143104ABA0AEQNV000AMNA0	AE160040	KCNEEHV5337	256,5	376,0	64,1
DN125X100	5" x 4"	300	ET143204ABA0AEQNV000AMNA0	AE160040	KCNEEHV5337	256,5	376,0	90,0
DN150X100	6" x 4"	150	ET174104ABA0AEQNV000AMNA0	AE160040	KCNEEHV5337	256,5	376,0	78,8
DN150X100	6" x 4"	300	ET174204ABA0AEQNV000AMNA0	AE160040	KCNEEHV5337	256,5	376,0	102,5
DN200X150	8" x 6"	150	ET145104ABA0AEQNV000AMTA0	AE160100	KCNFGHV5372	381,0	488,0	178,7
DN200X150	8" x 6"	300	ET145204ABA0AEMNV000AMXA0	AE160200	KCNFGHV5374	381,0	488,0	212,7
DN250X200	10" x 8"	150	ET146104ABA0AEQNV000AMTA0	AE160100	KCNFGHV5375	381,0	522,0	272,7



# THOR SPLIT BODY PN 63-100 ANSI 600



## DIMENSIONI DIMENSIONS -PN-

MISURA DN [mm]	SIZE [inch]	PN	ØE	A	B	C	ATT. ISO	ØM	ØN	F/T	ØG	ØR	S	ØH	N° FORI HOLES <sup>N</sup>	ØI	P	Kg	L	H	Y	KIT LEVA LEVER KIT	KIT GUARNIZIONI SEALS KIT
DN15	1/2"	63-100	13	40	54,5	9,6	F04	42	M5	12/8	105	45	2	75	4	14	20	6,3	165	80	150	KLV58006	KGBV472040
DN20	3/4"	63-100	19	45	57,5	9,6	F04	42	M5	12/8	130	58	2	90	4	18	22	7,9	190	83	150	KLV58006	KGBV472050
DN25	1"	63-100	25	50	71,5	14,6	F05	50	M6	16/10	140	68	2	100	4	18	24	11,0	216	95	275	KLV58008	KGBV472060
DN32	1 1/4"	63-100	32	55	76,5	14,6	F05	50	M6	16/10	155	78	2	110	4	22	24	13,7	229	100	275	KLV58008	KGBV472070
DN40	1 1/2"	63-100	38	68	98,5	20,4	F07	70	M8	22/14	170	88	3	125	4	22	26	20,4	241	120	350	KLV58010	KGBV472080
DN50	2"	63	51	74	107,5	20,4	F07	70	M8	22/14	180	102	3	135	4	22	26	25,1	292	129	350	KLV58010	KGBV472090
DN50	2"	100	51	74	107,5	20,4	F07	70	M8	22/14	195	102	3	145	4	26	28	27,3	292	129	350	KLV58010	KGBV472090
DN65	2 1/2"	63	64	94	144	25,1	F10	102	M10	30/18	205	122	3	160	8	22	26	44,0	330	180	450	KLV58012	KGBV472100
DN65	2 1/2"	100	64	94	144	25,1	F10	102	M10	30/18	220	122	3	170	8	26	30	47,0	330	180	450	KLV58012	KGBV472100
DN80	3"	63	76	101,5	151,5	25,1	F10	102	M10	30/18	215	138	3	170	8	22	28	51,9	356	188	450	KLV58012	KGBV472110
DN80	3"	100	76	101,5	151,5	25,1	F10	102	M10	30/18	230	138	3	180	8	26	32	55,3	356	188	450	KLV58012	KGBV472110
DN100	4"	63	102	126	196,5	40,5	F14	140	M16	45/30	250	162	3	200	8	26	30	102	432	233	800	KLV58014	KGBV472120
DN100	4"	100	102	126	196,5	40,5	F14	140	M16	45/30	265	162	3	210	8	30	36	106	432	233	800	KLV58014	KGBV472120

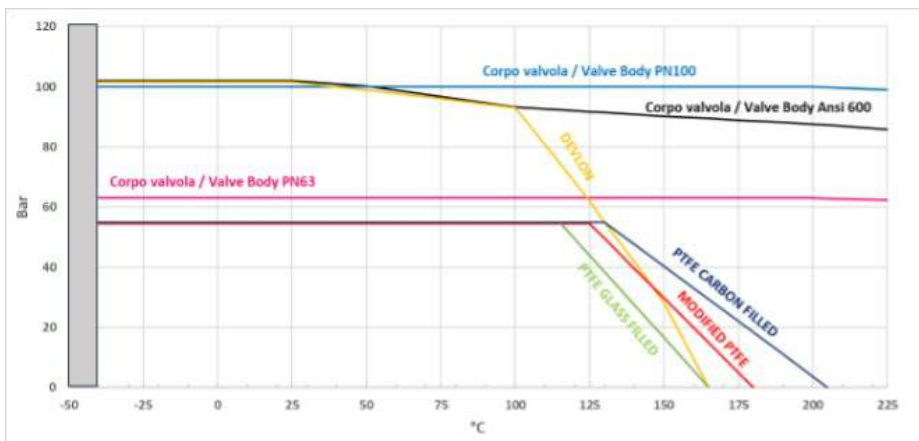
## DIMENSIONI DIMENSIONS -ANSI-

MISURA DN [mm]	SIZE [inch]	ANSI	ØE	A	B	C	ATT. ISO	ØM	ØN	F/T	ØG	ØR	S	ØH	N° FORI HOLES <sup>N</sup>	ØI	P	Kg	L	H	Y	KIT LEVA LEVER KIT	KIT GUARNIZIONI SEALS KIT
DN15	1/2"	600	13	40	54,5	9,6	F04	42	M5	12/8	95	35,1	6,4	66,5	4	16	21,0	5,5	165	80	150	KLV58006	KGBV472040
DN20	3/4"	600	19	45	57,5	9,6	F04	42	M5	12/8	118	42,9	6,4	82,6	4	19	22,6	6,5	190	83	150	KLV58006	KGBV472050
DN25	1"	600	25	50	71,5	14,6	F05	50	M6	16/10	125	50,8	6,4	88,9	4	19	24,4	9,3	216	95	275	KLV58008	KGBV472060
DN32	1 1/4"	600	32	55	76,5	14,6	F05	50	M6	16/10	135	63,5	6,4	98,6	4	19	27,4	12,1	229	100	275	KLV58008	KGBV472070
DN40	1 1/2"	600	38	68	98,5	20,4	F07	70	M8	22/14	155	73	6,4	114,3	4	22	29,1	18,9	241	120	350	KLV58010	KGBV472080
DN50	2"	600	51	74	107,5	20,4	F07	70	M8	22/14	165	91,9	6,4	127	8	19	32,1	23,9	292	129	350	KLV58010	KGBV472090
DN65	2 1/2"	600	64	94	144	25,1	F10	102	M10	30/18	190	104,6	6,4	149,4	8	22	36,1	44,3	330	180	450	KLV58012	KGBV472100
DN80	3"	600	76	101,5	151,5	25,1	F10	102	M10	30/18	210	127	6,4	168,1	8	22	39,1	54,0	356	188	450	KLV58012	KGBV472110
DN100	4"	600	102	126	196,5	40,5	F14	140	M16	45/30	275	157,2	6,4	215,9	8	25,5	45,1	113	432	233	800	KLV58014	KGBV472120

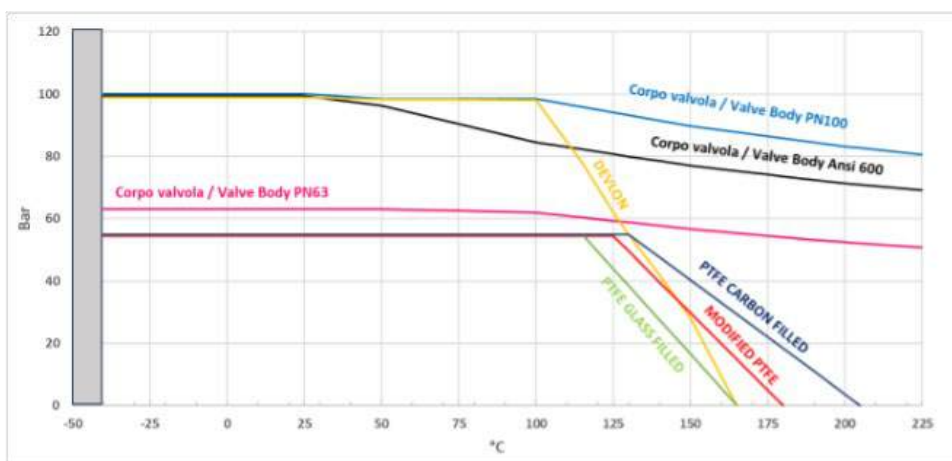


# THOR SPLIT BODY PN 63-100 ANSI 600

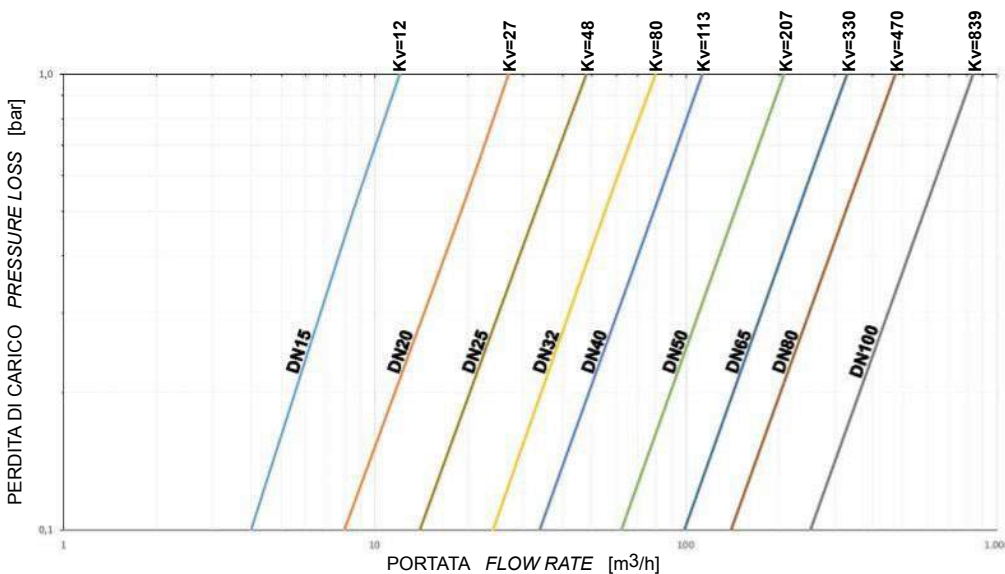
## DIAGRAMMA PRESSIONE/TEMPERATURA PER VALVOLE CON CORPO IN ACCIAIO AL CARBONIO TEMPERATURE/PRESSURE DIAGRAM FOR CARBON STEEL VALVE



## DIAGRAMMA PRESSIONE/TEMPERATURA PER VALVOLE CON CORPO IN ACCIAIO INOX TEMPERATURE/PRESSURE DIAGRAM FOR STAINLESS STEEL VALVE



## DIAGRAMMA PORTATA/PERDITA DI CARICO E COEFFICIENTE NOMINALE Kv FLOW/PRESSURE LOSS DIAGRAM AND Kv NOMINAL COEFFICIENT



Il valore Kv è il valore di portata in m<sup>3</sup>/h (con acqua a 15°C) che provoca la caduta di pressione di 1 bar.

*Kv is the coefficient, expressed in m<sup>3</sup>/h (with water at 15°C) causing a pressure loss of 1 bar.*



# THOR SPLIT BODY PN 63-100 ANSI 600

## ACCIAIO AL CARBONIO CARBON STEEL



### ESECUZIONE STANDARD

- Sfera flottante, passaggio totale. Disponibili versioni a passaggio ridotto.
- Tenuta soft-seat DEVLON.
- Norme per flange d'attacco ASME B16.5; EN1092-1.
- Temperature di utilizzo vedi diagramma pressione temperatura.
- Classe di pressione: ANSI 600 / PN63-100.
- Classe di tenuta: EN12266-1 rate A.
- Fluido intercettato: prodotti petroliferi, fluidi autolubrificanti (liquidi e gassosi), purchè compatibili con i materiali costruttivi. Per fluidi non-autolubrificanti (acqua, ...) o altre applicazioni rivolgersi all'ufficio commerciale.
- Antistatic device EN12266-2.
- Tenuta stelo: pacco a V di serie in PTFE Modificato.
- Tenuta addizionale su stelo con O-ring FKM.
- Stelo anti Blow-out.
- Foratura piano per attuatore a norma ISO 5211.
- Angolo di chiusura >7°.
- Trattamento superficiale brunitura.

### STANDARD FEATURES

- Floating ball, full bore. Available reduce bore version.
- Soft-seat seal DEVLON.
- Standard for connecting flanges: ASME B16.5; EN1092-1.
- Operating temperature see temperature pressure diagram.
- Pressure class: ANSI 600 / PN63-100.
- Tightness Class: EN12266-1 rate A.
- Intercepted fluid: petrochemical products, self-lubricating fluids (liquid and gaseous), compatible with the constructive materials. For non-self-lubricating fluids (water, ...) or other applications, contact our sales department.
- Antistatic device EN12266-2.
- Stem seal: Modified PTFE V-ring packing.
- Additional seal on stem with FKM O-ring.
- Anti Blow-out stem.
- Actuator connection as per standard ISO 5211.
- Closing angle >7°.
- Superficial treatment: blueing.

### ESECUZIONI A RICHIESTA

- Esecuzione per temperatura -40 C° in LF2.
- Per altri tipi di flangiature contattare il nostro ufficio commerciale.
- Guarnizioni di tenuta in: PTFE caricato vetro (PTFE-GF), PTFE caricato carbografito (PTFE-CF). Per altri tipi di materiale contattare il nostro ufficio commerciale.
- Esecuzione monodirezionale con foro di compensazione della pressione nella sfera.
- Leva inox.
- Dadi e molle stelo inox.
- Per esecuzioni speciali con materiali (corpo/sfera/stelo) diversi dallo standard contattare il nostro ufficio commerciale.
- Trattamento superficiale: zincatura bianca, verniciatura epossidica, (per altri trattamenti contattare il nostro ufficio commerciale).
- Marcatura e certificato ATEX A RICHIESTA.

### FEATURES ON REQUEST

- LF2 carbon steel for low temperature execution (-40 C°).
- For other flange types please contact our sales department.
- Sealing in: PTFE reinforced with glass (PTFE-GF), PTFE reinforced with carbon-graphite (PTFE-CF). For other types of materials please contact our sales department.
- Mono-directional version with pressure-compensating hole in the ball
- Stainless steel lever.
- For special versions in materials different from the standard (body, ball, stem), please contact our sales department.
- Stainless steel Stem nuts and springs.
- Superficial treatment: white zinc coating, epoxy coating.
- For other coating please contact our sales department.
- ATEX marking and certificate ON REQUEST.

### CERTIFICAZIONI

- Conforme alla direttiva Europea 2014/68/EU PED; Fugitive Emission ISO 15848 (ISO FE BH-C03-SSA 0); TA-LUFT VDI 2440; FIRE SAFE: ISO 10497 Third ed. 2010 / API 607 Sixth ed. 2010.
- Livello di sicurezza funzionale fino a SIL 3 in accordo a IEC 61508.
- Conforme alla direttiva ATEX 2014/34/EU, certificato ATEX A RICHIESTA.

### CERTIFICATIONS

- In compliance with European Directive 2014/68/EU PED; Fugitive Emission ISO 15848 (ISO FE BH-C03-SSA 0); TA-LUFT VDI 2440; FIRE SAFE: ISO 10497 Third ed. 2010 / API 607 Sixth ed. 2010.
- Safety integrity level up to SIL 3 according to the IEC 61508.
- In compliance with ATEX 2014/34/EU Directive, ATEX certificate ON REQUEST.

### NORME DI PROGETTAZIONE

- Spessori corpo in accordo a: ASME B16.34, ASME VIII div.1, EN 12516.
- **API 6D (A RICHIESTA).**
- Materiali e rating in accordo ad ASME B16.34 per valvole ANSI ed EN 12516 per valvole PN.

### ENGINEERING STANDARD

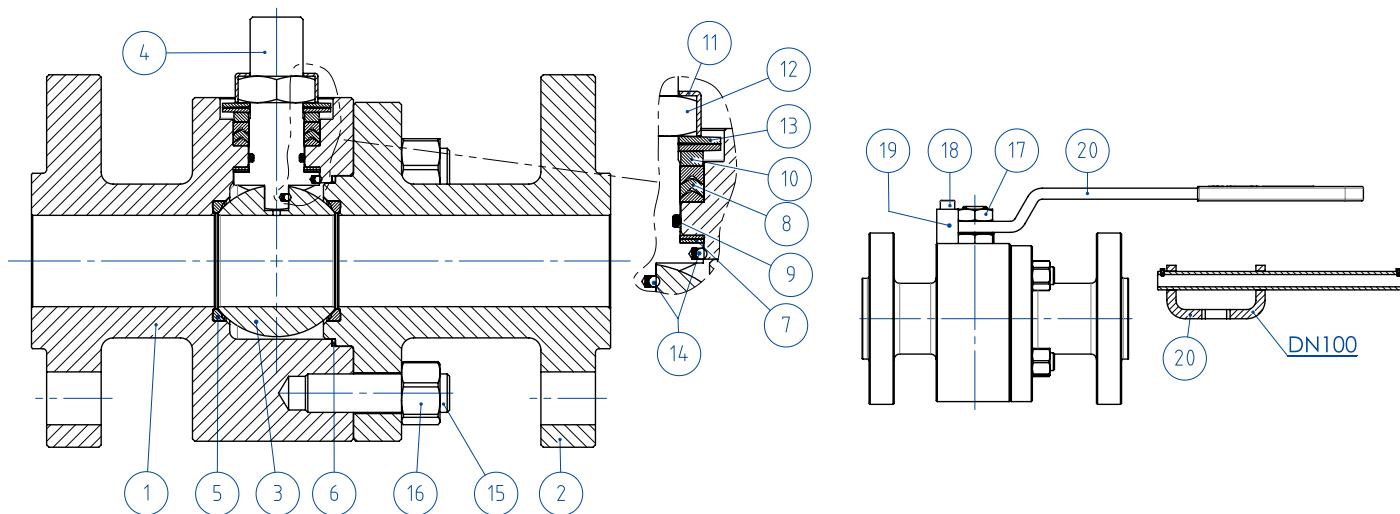
- Body thickness in compliance with: ASME B16.34, ASME VIII div.1, EN 12516.
- **API 6D (ON REQUEST).**
- Materials and rating in compliance with ASME B16.34 for ANSI valves and EN 12516 for PN valves.



## THOR SPLIT BODY - PN 63-100 ANSI 600

### ACCIAIO AL CARBONIO CARBON STEEL

### TABELLA DEI MATERIALI MATERIALS TABLE



		MATERIALI MATERIALS	
SPLIT BODY PN63-100 ANSI 600		acciaio al carbonio	carbon steel
N°	Descrizione Description	A105 Carbon steel	A350 LF2 Carbon steel
1	Corpo Body	ASTM A105	ASTM A350 LF2
2	Terminale Connector		
3	Sfera Ball	ASTM A351 CF8 (**)(**) (1.4308/Gx5CrNi19-10)	
4	Stelo Stem	A564 TP.630 (17-4PH)	
5*	Seggio Seat	DEVLON (.)	
6*	Guarnizione corpo-terminale Body-connector gasket	GRAFOIL	
7*	Tenuta inferiore stelo Stem lower sealing	PTFE Modificato Modified PTFE (.) (2)	
8*	Pacco a V Chevron rings	PTFE Modificato Modified PTFE (.)	
9*	O-ring stelo Stem o-ring	FKM (.)	
10	Anello premiguarnizione Packing gland ring	Acciaio al carbonio zincato Carbon steel galvanized (x) (1)	
11	Piastra blocca dado Stop nut plate	304 S.S.	
12	Dado stelo Stem nut	Acciaio al carbonio zincato Carbon steel galvanized (x)	
13	Molle a tazza Springs washer	Acciaio al carbonio zincato Carbon steel galvanized (xx)	
14	Dispositivo antistatico Antistatic device	316 S.S.	
15	Tiranti Stud bolt	ASTM A193-B7	ASTM A320-L7M
16	Dadi Nut	ASTM A194-Gr.2H	ASTM A194-Gr.7M
17	Controdado Lock nut	Acciaio al carbonio zincato Carbon steel galvanized (x)	
18	Vite di fermo Holder screw	A2-70 (304 S.S.)	
19	Fermo di posizione Holder screw	Acciaio al carbonio zincato Carbon steel galvanized (x)	
20	Leva Lever	Fe37 zincato - Galvanized (x)	

\* Componenti del kit di guarnizioni Components of seals kit

A richiesta disponibile in: Available on request:

(\*): A351 CF8M

(\*\*): Per  $\leq$ DN32 disponibile solo in CF8M For  $\leq$ DN32 available only in CF8M

(x): 304 s.s.

(xx): 301 s.s.

(1): Per DN100 disponibile solo in 304 DN100 available only in 304

(2) : per  $\leq$ DN32 disponibile solo in DEVLON for  $\leq$ DN32 available only in DEVLON

(.): Altri materiali disponibili a richiesta Other materials available on request



**THOR SPLIT BODY - PN 63-100 ANSI 600**  
**ACCIAIO AL CARBONIO CARBON STEEL**  
**ASSE LIBERO E CON LEVA FREE SHAFT AND WITH LEVER**



CERTIFICATO API 6D SOLO PER VALVOLE ANSI  
 API 6D CERTIFICATE ONLY FOR ANSI VALVES

**CODICI VALVOLE ASSE LIBERO (V\_) E CON LEVA (L\_) IN ACCIAIO AL CARBONIO -PN-  
 CARBON STEEL BARE SHAFT (V\_) AND LEVER (L\_) OPERATED VALVE CODE -PN-**

MISURA DN [mm]	SIZE [inch]	PN	A105 Carbon steel	LF2 Carbon steel
DN 15	1/2"	PN 63-100	V/LT104N03CAA0AFMRV00B	V/LT104N03CBA0AHMRV00B
DN 20	3/4"	PN 63-100	V/LT105N03CAA0AFMRV00B	V/LT105N03CBA0AHMRV00B
DN 25	1"	PN63-100	V/LT106N03CAA0AGMRV00B	V/LT106N03CBA0AIMRV00B
DN 32	1" 1/4	PN63-100	V/LT107N03CAA0AGMRV00B	V/LT107N03CBA0AIMRV00B
DN 40	1" 1/2	PN63-100	V/LT108N03CAB0AGMNV00B	V/LT108N03CBB0AIMNV00B
DN 50	2"	PN63	V/LT109K03CAB0AGMNV00B	V/LT109K03CBB0AIMNV00B
DN 50	2"	PN100	V/LT109L03CAB0AGMNV00B	V/LT109L03CBB0AIMNV00B
DN 65	2" 1/2	PN63	V/LT110K03CAB0AGMNV00B	V/LT110K03CBB0AIMNV00B
DN 65	2" 1/2	PN100	V/LT110L03CAB0AGMNV00B	V/LT110L03CBB0AIMNV00B
DN 80	3"	PN63	V/LT111K03CAB0AGMNV00B	V/LT111K03CBB0AIMNV00B
DN 80	3"	PN100	V/LT111L03CAB0AGMNV00B	V/LT111L03CBB0AIMNV00B
DN 100	4"	PN63	V/LT112K03CAB0AGMNV00B	V/LT112K03CBB0AIMNV00B
DN 100	4"	PN100	V/LT112L03CAB0AGMNV00B	V/LT112L03CBB0AIMNV00B

**CODICI VALVOLE ASSE LIBERO (V\_) E CON LEVA (L\_) IN ACCIAIO AL CARBONIO -ANSI-  
 CARBON STEEL BARE SHAFT (V\_) AND LEVER (L\_) OPERATED VALVE CODE -ANSI-**

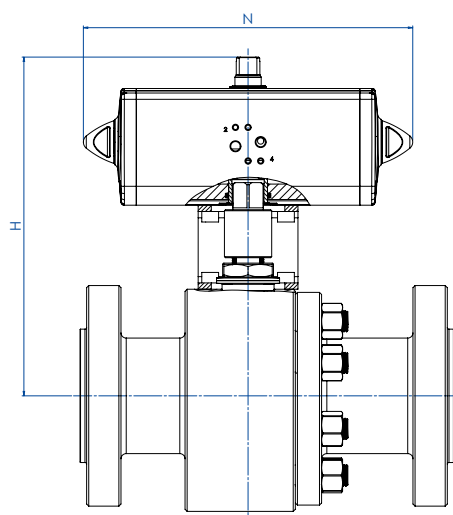
MISURA DN [mm]	SIZE [inch]	ANSI	A105 Carbon steel	LF2 Carbon steel
DN 15	1/2"	ANSI 600	V/LT104404CAA0AFMRV00B	V/LT104404CBA0AHMRV00B
DN 20	3/4"	ANSI 600	V/LT105404CAA0AFMRV00B	V/LT105404CBA0AHMRV00B
DN 25	1"	ANSI 600	V/LT106404CAA0AGMRV00B	V/LT106404CBA0AIMRV00B
DN 32	1" 1/4	ANSI 600	V/LT107404CAA0AGMRV00B	V/LT107404CBA0AIMRV00B
DN 40	1" 1/2	ANSI 600	V/LT108404CAB0AGMNV00B	V/LT108404CBB0AIMNV00B
DN 50	2"	ANSI 600	V/LT109404CAB0AGMNV00B	V/LT109404CBB0AIMNV00B
DN 65	2" 1/2	ANSI 600	V/LT110404CAB0AGMNV00B	V/LT110404CBB0AIMNV00B
DN 80	3"	ANSI 600	V/LT111404CAB0AGMNV00B	V/LT111404CBB0AIMNV00B
DN 100	4"	ANSI 600	V/LT112404CAB0AGMNV00B	V/LT112404CBB0AIMNV00B



## THOR SPLIT BODY - PN 63-100

### ACCIAIO AL CARBONIO CARBON STEEL

### CON ATTUATORE PNEUMATICO DA WITH DA PNEUMATIC ACTUATOR



#### CODICI ARTICOLI IN A105 ACCIAIO AL CARBONIO ITEM CODES IN A105 CARBON STEEL

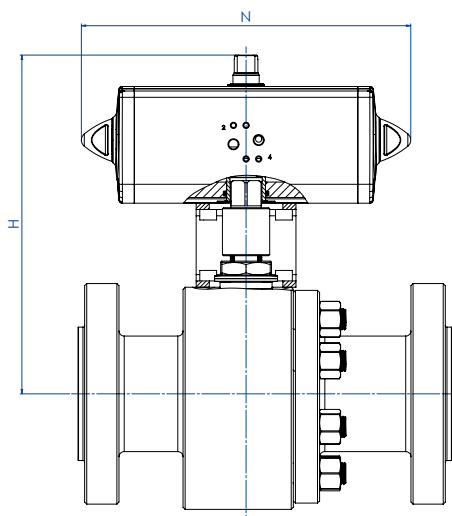
MISURA DN [mm]	SIZE [inch]	PN	CODICE ARTICOLO ITEM CODE	ATTUATORE ACTUATOR	KIT di montaggio Mounting KIT	N [mm]	H [mm]	Peso Kg Weight Kg
DN 15	1/2"	PN 63-100	DT104N03CAA0AFMRV00BAFCA0	DAN0030411S	KCNBCHD5340	174,2	179,2	8,0
DN 20	3/4"	PN 63-100	DT105N03CAA0AFMRV00BAFDA0	DAN0045412S	KCNBCHD5341	188,5	189,5	9,8
DN 25	1"	PN 63-100	DT106N03CAA0AGMRV00BAFEA0	DAN0060412S	KCNCCHD5342	198,0	200,4	13,4
DN 32	1" 1/4	PN 63-100	DT107N03CAA0AGMRV00BAFGA0	DAN0106411S	KCNCCHD5343	237,0	218,3	17,0
DN 40	1" 1/2	PN 63-100	DT108N03CAB0AGMNV00BAFHA0	DAN0120411S	KCNDDHD5344	244,1	235,0	24,0
DN 50	2"	PN 63	DT109K03CAB0AGMNV00BAFIA0	DAN0180411S	KCNDDHD5393	289,9	271,5	30,9
DN 50	2"	PN 100	DT109L03CAB0AGMNV00BAFIA0	DAN0180411S	KCNDDHD5393	289,9	271,5	33,1
DN 65	2" 1/2	PN 63	DT110K03CAB0AGMNV00BAFJA0	DAN0240411S	KCNEEHD5346	313,6	315,1	51,3
DN 65	2" 1/2	PN 100	DT110L03CAB0AGMNV00BAFJA0	DAN0240411S	KCNEEHD5346	313,6	315,1	54,3
DN 80	3"	PN 63	DT111K03CAB0AGMNV00BAFKA0	DAN0360411S	KCNEEHD5346	339,3	329,5	60,3
DN 80	3"	PN 100	DT111L03CAB0AGMNV00BAFKA0	DAN0360411S	KCNEEHD5346	339,3	329,5	63,3
DN 100	4"	PN 63	DT112K03CAB0AGMNV00BAFMA0	DAN0720411S	KCNFGHD5365	433,1	404,0	118,9
DN 100	4"	PN 100	DT112L03CAB0AGMNV00BAFMA0	DAN0720411S	KCNFGHD5365	433,1	404,0	122,9

#### CODICI ARTICOLI IN LF2 ACCIAIO AL CARBONIO ITEM CODES IN LF2 CARBON STEEL

MISURA DN [mm]	SIZE [inch]	PN	CODICE ARTICOLO ITEM CODE	ATTUATORE ACTUATOR	KIT di montaggio Mounting KIT	N [mm]	H [mm]	Peso Kg Weight Kg
DN 15	1/2"	PN 63-100	DT104N03CBA0AHMRV00BAFCA0	DAN0030411S	KCNBCHD5340	174,2	179,2	8,0
DN 20	3/4"	PN 63-100	DT105N03CBA0AHMRV00BAFDA0	DAN0045412S	KCNBCHD5341	188,5	189,5	9,8
DN 25	1"	PN 63-100	DT106N03CBA0AIMRV00BAFEA0	DAN0060412S	KCNCCHD5342	198,0	200,4	13,4
DN 32	1" 1/4	PN 63-100	DT107N03CBA0AIMRV00BAFGA0	DAN0106411S	KCNCCHD5343	237,0	218,3	17,0
DN 40	1" 1/2	PN 63-100	DT108N03CBB0AIMNV00BAFHA0	DAN0120411S	KCNDDHD5344	244,1	235,0	24,0
DN 50	2"	PN 63	DT109K03CBB0AIMNV00BAFIA0	DAN0180411S	KCNDDHD5393	289,9	271,5	30,9
DN 50	2"	PN 100	DT109L03CBB0AIMNV00BAFIA0	DAN0180411S	KCNDDHD5393	289,9	271,5	33,1
DN 65	2" 1/2	PN 63	DT110K03CBB0AIMNV00BAFJA0	DAN0240411S	KCNEEHD5346	313,6	315,1	51,3
DN 65	2" 1/2	PN 100	DT110L03CBB0AIMNV00BAFJA0	DAN0240411S	KCNEEHD5346	313,6	315,1	54,3
DN 80	3"	PN 63	DT111K03CBB0AIMNV00BAFKA0	DAN0360411S	KCNEEHD5346	339,3	329,5	60,3
DN 80	3"	PN 100	DT111L03CBB0AIMNV00BAFKA0	DAN0360411S	KCNEEHD5346	339,3	329,5	63,3
DN 100	4"	PN 63	DT112K03CBB0AIMNV00BAFMA0	DAN0720411S	KCNFGHD5365	433,1	404,0	118,9
DN 100	4"	PN 100	DT112L03CBB0AIMNV00BAFMA0	DAN0720411S	KCNFGHD5365	433,1	404,0	122,9



**THOR SPLIT BODY - ANSI 600**  
**ACCIAIO AL CARBONIO CARBON STEEL**  
**CON ATTUATORE PNEUMATICO DA WITH DA PNEUMATIC ACTUATOR**



**CODICI ARTICOLI IN A105 ACCIAIO AL CARBONIO ITEM CODES IN A105 CARBON STEEL**

MISURA DN [mm]	SIZE [inch]	ANSI	CODICE ARTICOLO ITEM CODE	ATTUATORE ACTUATOR	KIT di montaggio Mounting KIT	N [mm]	H [mm]	Peso Kg Weight Kg
DN 20	3/4"	ANSI 600	DT105404CAA0AFMRV00BAFDA0	DAN0045412S	KCNBCHD5341	188,5	189,5	8,4
DN 25	1"	ANSI 600	DT106404CAA0AGMRV00BAFEA0	DAN0060412S	KCNCCHD5342	198,0	200,4	11,7
DN 32	1" 1/4	ANSI 600	DT107404CAA0AGMRV00BAFGA0	DAN0106411S	KCNCCHD5343	237,0	218,3	15,4
DN 40	1" 1/2	ANSI 600	DT108404CAB0AGMNV00BAFHA0	DAN0120411S	KCNDDHD5344	244,1	235,0	22,5
DN 50	2"	ANSI 600	DT109404CAB0AGMNV00BAFIA0	DAN0180411S	KCNDDHD5393	289,9	271,5	29,7
DN 65	2" 1/2	ANSI 600	DT110404CAB0AGMNV00BAFJA0	DAN0240411S	KCNEEHD5346	313,6	315,1	51,6
DN 80	3"	ANSI 600	DT111404CAB0AGMNV00BAFKA0	DAN0360411S	KCNEEHD5346	339,3	329,5	62,4
DN 100	4"	ANSI 600	DT112404CAB0AGMNV00BAFMA0	DAN0720411S	KCNFGHD5365	433,1	404,0	129,9

**CODICI ARTICOLI IN LF2 ACCIAIO AL CARBONIO ITEM CODES IN LF2 CARBON STEEL**

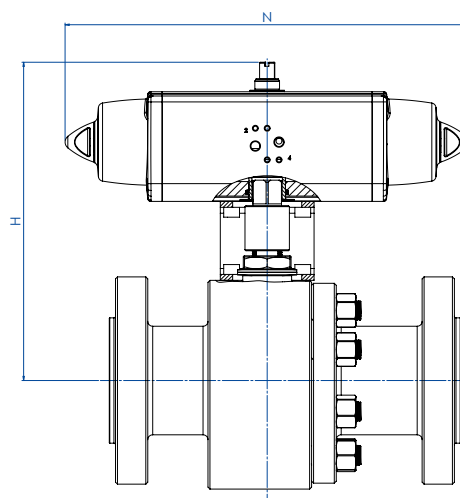
MISURA DN [mm]	SIZE [inch]	ANSI	CODICE ARTICOLO ITEM CODE	ATTUATORE ACTUATOR	KIT di montaggio Mounting KIT	N [mm]	H [mm]	Peso Kg Weight Kg
DN 20	3/4"	ANSI 600	DT105404CBA0AHMRV00BAFDA0	DAN0045412S	KCNBCHD5341	188,5	189,5	8,4
DN 25	1"	ANSI 600	DT106404CBA0AIMRV00BAFEA0	DAN0060412S	KCNCCHD5342	198,0	200,4	11,7
DN 32	1" 1/4	ANSI 600	DT107404CBA0AIMRV00BAFGA0	DAN0106411S	KCNCCHD5343	237,0	218,3	15,4
DN 40	1" 1/2	ANSI 600	DT108404CBB0AIMNV00BAFHA0	DAN0120411S	KCNDDHD5344	244,1	235,0	22,5
DN 50	2"	ANSI 600	DT109404CBB0AIMNV00BAFIA0	DAN0180411S	KCNDDHD5393	289,9	271,5	29,7
DN 65	2" 1/2	ANSI 600	DT110404CBB0AIMNV00BAFJA0	DAN0240411S	KCNEEHD5346	313,6	315,1	51,6
DN 80	3"	ANSI 600	DT111404CBB0AIMNV00BAFKA0	DAN0360411S	KCNEEHD5346	339,3	329,5	62,4
DN 100	4"	ANSI 600	DT112404CBB0AIMNV00BAFMA0	DAN0720411S	KCNFGHD5365	433,1	404,0	129,9



## THOR SPLIT BODY - PN 63-100

### ACCIAIO AL CARBONIO CARBON STEEL

### CON ATTUATORE PNEUMATICO SR WITH SR PNEUMATIC ACTUATOR



#### CODICI ARTICOLI IN A105 ACCIAIO AL CARBONIO ITEM CODES IN A105 CARBON STEEL

MISURA DN [mm]	SIZE [inch]	PN	CODICE ARTICOLO ITEM CODE	ATTUATORE ACTUATOR	KIT di montaggio Mounting KIT	N [mm]	H [mm]	Peso Kg Weight Kg
DN 15	1/2"	PN 63-100	ST104N03CAA0AFMRV00BAFEA0	SRN0030402S	KCNBCHD5350	258,8	190,4	9,0
DN 20	3/4"	PN 63-100	ST105N03CAA0AFMRV00BAFGA0	SRN0053401S	KCNBCHD5351	304,2	208,3	11,7
DN 25	1"	PN 63-100	ST106N03CAA0AGMRV00BAFHAA0	SRN0060401S	KCNCCHD5343	338,5	217,0	15,2
DN 32	1" 1/4	PN 63-100	ST107N03CAA0AGMRV00BAFIA0	SRN0090401S	KCNCDDHD5352	393,7	252,5	20,8
DN 40	1" 1/2	PN 63-100	ST108N03CAB0AGMNV00BAFJAA0	SRN0120401S	KCNDDDHD5353	409,6	269,1	28,4
DN 50	2"	PN 63	ST109K03CAB0AGMNV00BAFKAA0	SRN0180401S	KCNDDDHD5393	474,0	282,0	35,2
DN 50	2"	PN 100	ST109L03CAB0AGMNV00BAFKAA0	SRN0180401S	KCNDDDHD5393	474,0	282,0	37,4
DN 65	2" 1/2	PN 63	ST110K03CAB0AGMNV00BAFLAA0	SRN0240401S	KCNEEHD5354	520,5	339,0	57,7
DN 65	2" 1/2	PN 100	ST110L03CAB0AGMNV00BAFLAA0	SRN0240401S	KCNEEHD5354	520,5	339,0	60,7
DN 80	3"	PN 63	ST111K03CAB0AGMNV00BAFMAA0	SRN0360401S	KCNEEHD5354	613,0	346,5	70,3
DN 80	3"	PN 100	ST111L03CAB0AGMNV00BAFMAA0	SRN0360401S	KCNEEHD5354	613,0	346,5	73,7
DN 100	4"	PN 63	ST112K03CAB0AGMNV00BAFQAA0	SRN0720401S	KCNGGHD5369	798,0	442,0	140,7
DN 100	4"	PN 100	ST112L03CAB0AGMNV00BAFQAA0	SRN0720401S	KCNGGHD5369	798,0	442,0	144,7

#### CODICI ARTICOLI IN LF2 ACCIAIO AL CARBONIO ITEM CODES IN LF2 CARBON STEEL

MISURA DN [mm]	SIZE [inch]	PN	CODICE ARTICOLO ITEM CODE	ATTUATORE ACTUATOR	KIT di montaggio Mounting KIT	N [mm]	H [mm]	Peso Kg Weight Kg
DN 15	1/2"	PN 63-100	ST104N03CBA0AHMRV00BAFEA0	SRN0030402S	KCNBCHD5350	258,8	190,4	9,0
DN 20	3/4"	PN 63-100	ST105N03CBA0AHMRV00BAFGA0	SRN0053401S	KCNBCHD5351	304,2	208,3	11,7
DN 25	1"	PN 63-100	ST106N03CBA0AIMRV00BAFHAA0	SRN0060401S	KCNCCHD5343	338,5	217,0	15,2
DN 32	1" 1/4	PN 63-100	ST107N03CBA0AIMRV00BAFIA0	SRN0090401S	KCNCDDHD5352	393,7	252,5	20,8
DN 40	1" 1/2	PN 63-100	ST108N03CBB0AIMNV00BAFJAA0	SRN0120401S	KCNDDDHD5353	409,6	269,1	28,4
DN 50	2"	PN 63	ST109K03CBB0AIMNV00BAFKAA0	SRN0180401S	KCNDDDHD5393	474,0	282,0	35,2
DN 50	2"	PN 100	ST109L03CBB0AIMNV00BAFKAA0	SRN0180401S	KCNDDDHD5393	474,0	282,0	37,4
DN 65	2" 1/2	PN 63	ST110K03CBB0AIMNV00BAFLAA0	SRN0240401S	KCNEEHD5354	520,5	339,0	57,7
DN 65	2" 1/2	PN 100	ST110L03CBB0AIMNV00BAFLAA0	SRN0240401S	KCNEEHD5354	520,5	339,0	60,7
DN 80	3"	PN 63	ST111K03CBB0AIMNV00BAFMAA0	SRN0360401S	KCNEEHD5354	613,0	346,5	70,3
DN 80	3"	PN 100	ST111L03CBB0AIMNV00BAFMAA0	SRN0360401S	KCNEEHD5354	613,0	346,5	73,7
DN 100	4"	PN 63	ST112K03CBB0AIMNV00BAFQAA0	SRN0720401S	KCNGGHD5369	798,0	442,0	140,7
DN 100	4"	PN 100	ST112L03CBB0AIMNV00BAFQAA0	SRN0720401S	KCNGGHD5369	798,0	442,0	144,7