

QUARTER TURN ELECTRIC ACTUATOR

AVA-B60 BASIC ON-OFF 60Nm



Model: AVA-B60 60Nm BASIC ON-OFF ELECTRIC ACTUATOR

	AC	AC/DC	DC	DC
Rated Voltage	AC230V	AC/DC 24V	24VDC	12VDC
Voltage Range	AC 95-265V/DC100-300V	AC20-28/DC22-32V	DC22-32V	DC11-15V
Consumption	15W run, 1.5W hold	15W run, 1.5W hold	15W run, 1.5W hold	15W run, 1.5W hold
Peak current	0.26A @ 5ms 230V	2.5A @ 5ms 24VDC	2.5A for 5ms 24VDC	4.5A for 5ms
Fuse	2A	5A	5A	10A
Maximum Break Torque Nm	60			60
Run & Reseat Torque Nm	60			60
Manual operation	Yes, by hexagonal wrench (supplied in clip) when no power is being applied			
Run time	≈ 10 sec			≈ 10 secs

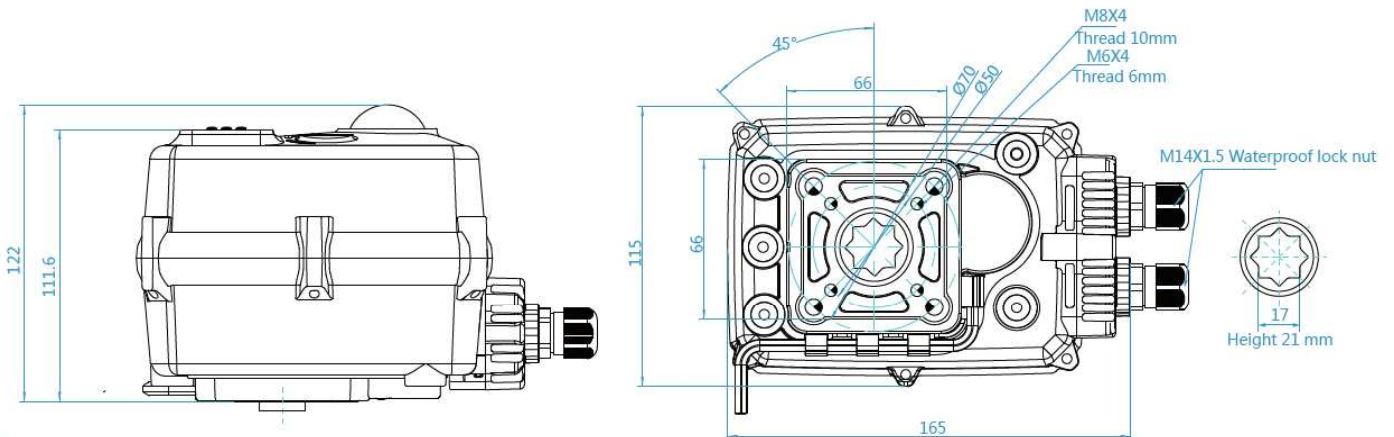
STANDARD FEATURES:

Operating frequency	AC not continuous, 75% duty cycle but recommend allowing ≥1 min between cycles. DC is continuous.
Position confirmation	Mechanically driven dome style visual 2 colour indicator
Mounting restriction	None, can be mounted at any angle. Leave room for space to operate manually, and for electrical connection
End Position indication	Micro-switches operated by adjustable internal cams , set slightly ahead of the final motor stop position.
ISO:5211	F05/07
Working Angle	Factory set at 90° ±2°, maximum angle of rotation 110° ±2°
Female drive	17mm octagon x 21mm deep
Ingress protection	IP67
Max media temp	>+ 80C
Ambient temp	-20 to +80C
Non-operating temp	≤ -40C to ≥80C
Ambient humidity	5-95% RH non-condensing
Explosion proof	No, prohibited. Do not use in hazardous areas
Housing	ABS
Weight	2.2kg

Dimensions: (mm)

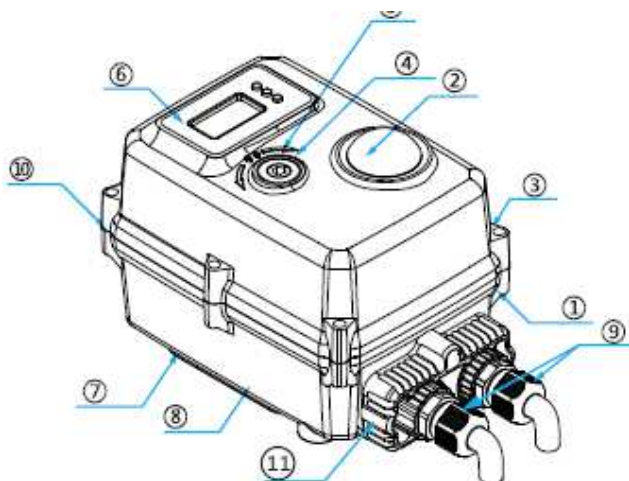
AVA-B60 60Nm BASIC ON-OFF ELECTRIC ACTUATOR

Dimension 【Female octagonal】



Materials:

AVA-B60 60Nm BASIC ON-OFF ELECTRIC ACTUATOR



No	PART	MATERIAL
1	Housing	ABS
2	Indicator	Plastic
3	Screws	304
4	Manual Shaft	304
5	Manual Seal	NBR
6	Label	PVC
7	Allen Key	Steel
8	Base	ABS
9	Connector	Nylon
10	Seal	NBR
11	Terminal Cover	ABS

* Note that screen only available on Smart series

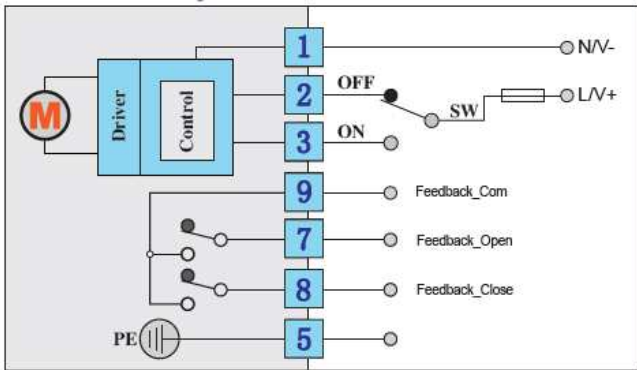
Part Numbers:

AVA-B60 60Nm BASIC ON-OFF ELECTRIC ACTUATOR

Model	Voltage	Housing	Heater	Control of on-off function
AVA-60-	1 AC 230V	A ABS	0 None	b SPDT. Switchable +ve/ live Volt free end of travel confirmation
	2 AC 110V		H 5W/24kΩ	c SPDT. Switchable +ve/ live Powered end of travel confirmation
	3 AC 24V			d SPDT. Switchable +ve/ live 10kΩ Potentiometer feedback
	4 DC 24V			f SPST. Make or break contact. Volt free position confirmation (DC only)

NOTE: UK STANDARD STOCK IS WITH WIRING 'B', ANY OTHERS ARE FACTORY OPTIONS. DETAILS AVAILABLE ON REQUEST.

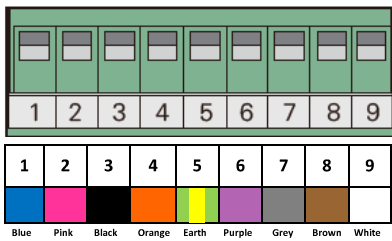
SPDT Wiring Type 'B'



Control instructions:

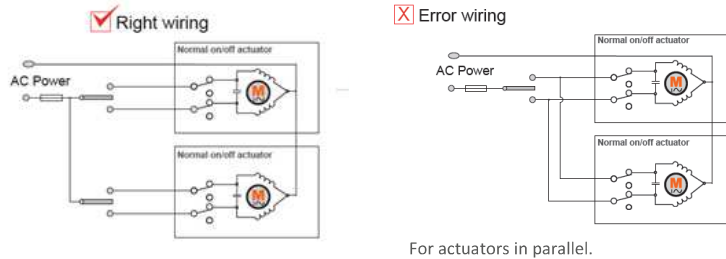
- SW is connected with 2, the actuator will rotate clockwise. When the valve is closed, 9 is connect with 8, giving signal of closing.
- SW is connected with 3, the actuator will rotate anticlockwise. When the valve is open, 9 is connect with 7, giving signal of opening.
- ※ Notice 1: 9 is not connected with 7 and 8, when the actuator is rotating.
- ※ Notice 2: The feedback signal is a little earlier than the actual position, so please do not cut power immediately, when you get the feedback signal.

9P-5.08 Terminal diagram

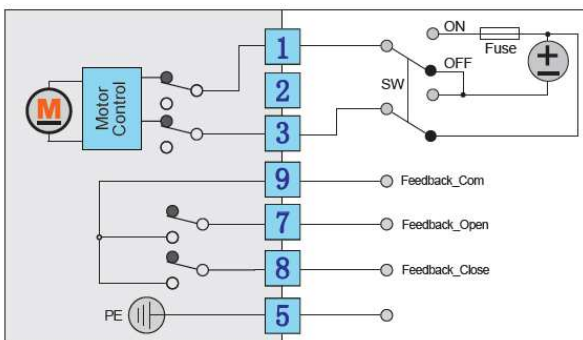


Wiring instructions:

1. Fuse: please refer to manual for more parameters.
2. SW switching capability: please refer to manual for more parameters.
3. Feedback signal contact load capacity: 0.1A/250VAC 0.5A/30VDC.
4. Please make sure actuator connect ground reliably.



WIRING DIAGRAMS - Option for 2 wire wiring configuration, available from factory.



Control instructions:

- If SW is connected with OFF, the actuator will drive valve close clockwise. When the valve is closed completely, 9 is connected with 8, giving signal of closing.
- If SW is connected with ON, the actuator will drive valve open anticlockwise. When the valve is open completely, 9 is connected with 7, giving signal of opening.
- ※ Notice 1: 9 is not connected with 8 7, when the actuator is running.
- ※ Notice 2: The feedback signal is a little earlier than the actual position, so please do not cut power immediately, when you get the feedback signal.