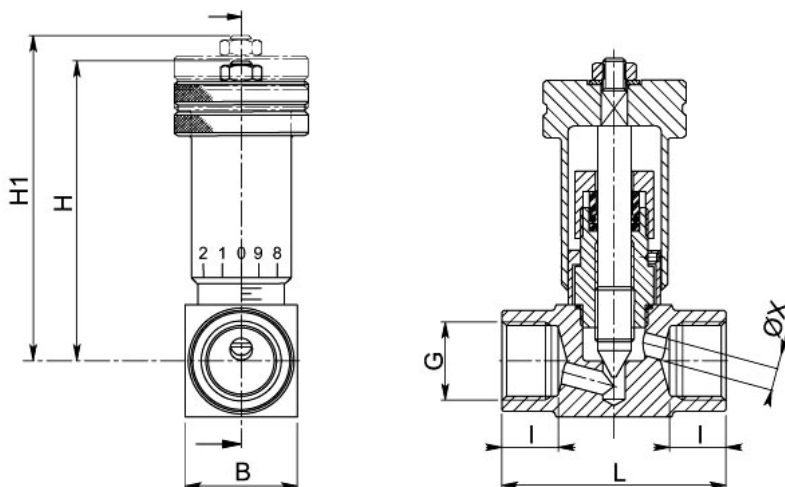
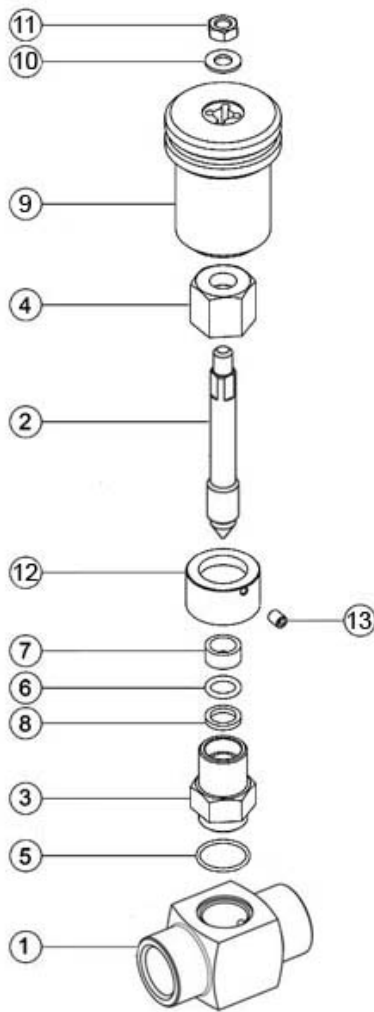




PIN valve
 Drive: **GRADUATE** Handwheel
 Connection: ISO 228 female/female thread
 Material: Aisi 316
 Measure: from 1/4" to 1"
 Operating temperature: -20°C +160°C
 Outer finish: Polished



G	L	I	B	H	H1	Ø X	PN	Kg
1/4"	45	10	20	70	78	4	160	--
3/8"	53	11	25	70	78	5	160	--
1/2"	60	14	30	72	80	6	160	--
3/4"	80	17	Ø48	102	117	10	100	--
1"	80	19	Ø48	102	117	10	100	--



POS.	DENOMINATION	PCS	MAT.
1	Body	1	AISI 316L
2	Pin	1	AISI 316L
3	Lead screw	1	AISI 316L
4	Stuffing nut	1	AISI 316L
5	OR	1	FKM
6	OR	1	FKM
7	Seal	1	PTFE Caricato Vetro/With glass
8	Seal	1	PTFE
9	Graduate handwheel	1	AISI 304L
10	Washer	1	AISI 304L
11	Nut	1	AISI 304L
12	Graduate ring	1	AISI 316L
13	Sreaw	1	AISI 304L

