



Attuatore pneumatico semplice "SR" Spring return pneumatic actuator "SR" type

A1



DATI TECNICI

Coppia da 15 Nm. a 1920 Nm.
Flangia d'attacco: DIN/ISO 5211 DIN 3337
F03 - F04 - F05 - F07 - F10 - F12 - F14 - F16.
Attacco NAMUR per accessori.
Angolo di rotazione: 90°
Momento torcente: Il momento torcente di ritorno dipende solo dall'azione della molla ed è indipendente dalla pressione di alimentazione. Sono disponibili 4 differenti tarature per la molla; vedi tabella. La chiusura automatica per mezzo delle molle avviene in senso orario.
In ciascun attuatore la cifra che segue la sigla SR corrisponde al valore della coppia di spunto in Nm. alla pressione di 5,6 bar.

CONDIZIONI DI ESERCIZIO

Temperatura: da 0°C a +80°C; da -20°C a +80°C in presenza di aria secca. (+150°C in versioni speciali)
Pressione nominale: 5,6 bar; massima di esercizio 8,4 bar.
Fluido di alimentazione: aria compressa filtrata secca non necessariamente lubrificata.
In caso di lubrificazione usare olio non detergente o compatibile con NBR.

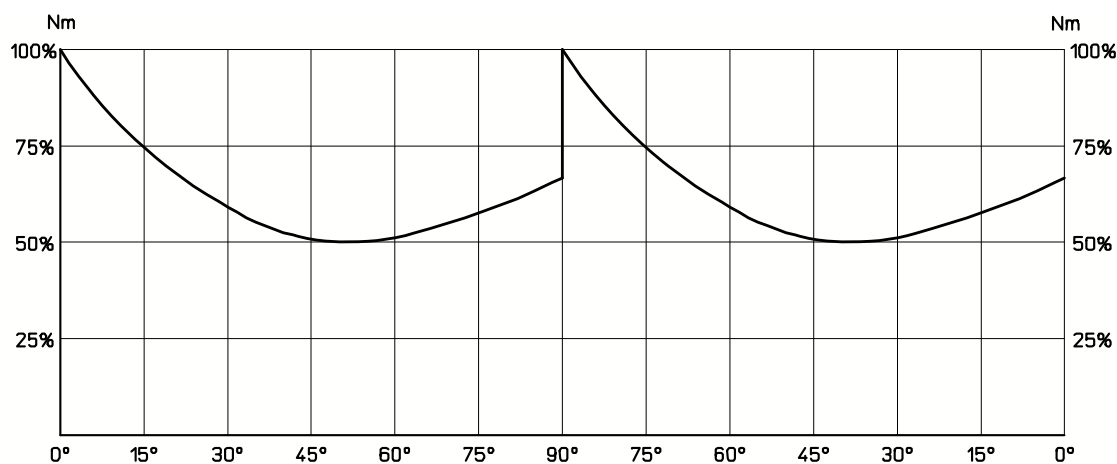
ACTUATOR FEATURES

Torque from 15 Nm to 1920 Nm.
Mounting flange according to DIN/ISO 5211 DIN 3337
F03 - F04 - F05 - F07 - F10 - F12 - F14 - F16.
NAMUR connection for accessories.
Rotation angle 90°
Torque: the return torque depends on spring action only notwithstanding the air supply. The spring is provided in four different sizes (see table).
The code numbers after the letters SR, always correspond to the breakaway torque in Nm by 5,6 bar air supply.
The actuator automatic closing takes place in clockwise direction by means of its springs.

WORKING CONDITION

Temperature: from 0°C to +80°C; from -20°C to +80°C with dry air only. (+150°C in special execution)
Air supply: 5,6 bar; maximum 8,4 bar.
Operating media: compressed filtered air, not necessarily lubricated.
In case of lubricated air, either non detergent oil or NBR compatible oil, must be used.

Diagramma del momento torcente in funzione dell'angolo di rotazione Output torque diagram related to rotation angle



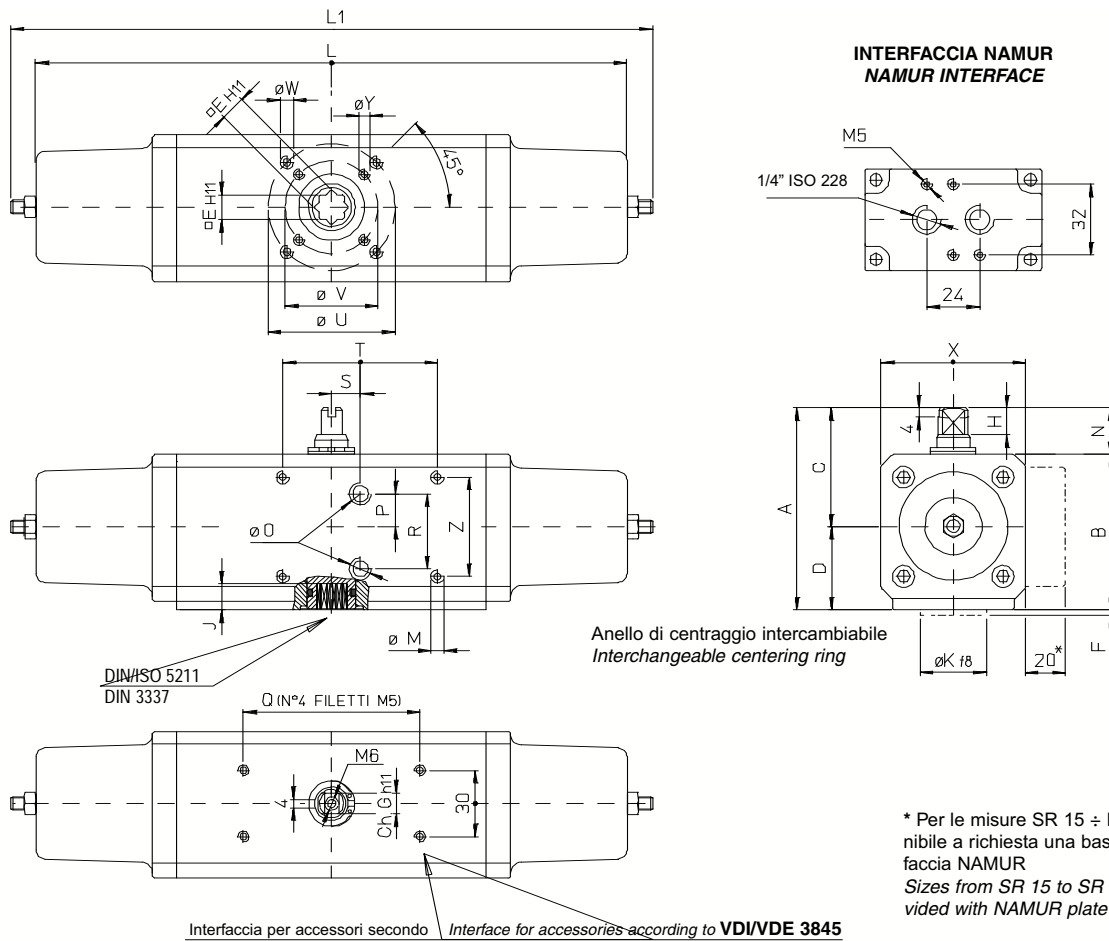
A1

| MISURA SIZE | | 2,8 bar ÷ 40 PSI | | 3,5 bar ÷ 50 PSI | | 4,2 bar ÷ 60 PSI | | 5,6 bar ÷ 80 PSI | |
|-------------|-----|------------------|--------|------------------|--------|------------------|--------|------------------|--------|
| α° | | aria | spring | aria | spring | aria | spring | aria | spring |
| SR 15 | 0° | 7,5 | 5,0 | 9,3 | 6,3 | 11,3 | 7,5 | 15,0 | 10,0 |
| | 50° | 3,7 | 3,7 | 4,7 | 4,7 | 5,6 | 5,6 | 7,5 | 7,5 |
| | 90° | 5,0 | 7,5 | 6,3 | 9,3 | 7,5 | 11,3 | 10,0 | 15,0 |
| SR 30 | 0° | 15,0 | 10,0 | 18,8 | 12,5 | 22,5 | 15,0 | 30,0 | 20,0 |
| | 50° | 7,5 | 7,5 | 9,4 | 9,4 | 11,3 | 11,3 | 15,0 | 15,0 |
| | 90° | 10,0 | 15,0 | 12,5 | 18,8 | 15,0 | 22,5 | 20,0 | 30,0 |
| SR 45 | 0° | 22,5 | 15,0 | 28,1 | 18,8 | 33,9 | 22,5 | 45,0 | 30,0 |
| | 50° | 11,1 | 11,1 | 13,9 | 13,9 | 16,8 | 16,8 | 22,5 | 22,5 |
| | 90° | 15,0 | 22,5 | 18,8 | 28,1 | 22,5 | 33,9 | 30,0 | 45,0 |
| SR 60 | 0° | 30,0 | 20,0 | 37,5 | 25,0 | 45,0 | 30,0 | 60,0 | 40,0 |
| | 50° | 15,0 | 15,0 | 18,8 | 18,8 | 22,5 | 22,5 | 30,0 | 30,0 |
| | 90° | 20,0 | 30,0 | 25,0 | 37,5 | 30,0 | 45,0 | 40,0 | 60,0 |
| SR 90 | 0° | 45,0 | 30,0 | 56,4 | 37,5 | 67,5 | 45,0 | 90,0 | 60,0 |
| | 50° | 22,5 | 22,5 | 28,2 | 28,2 | 33,9 | 33,9 | 45,0 | 45,0 |
| | 90° | 30,0 | 45,0 | 37,5 | 56,4 | 45,0 | 67,5 | 60,0 | 90,0 |
| SR 120 | 0° | 60,0 | 40,0 | 75,0 | 50,0 | 90,0 | 60,0 | 120,0 | 80,0 |
| | 50° | 30,0 | 30,0 | 37,5 | 37,5 | 45,0 | 45,0 | 60,0 | 60,0 |
| | 90° | 40,0 | 60,0 | 50,0 | 75,0 | 60,0 | 90,0 | 80,0 | 120,0 |
| SR 180 | 0° | 90,0 | 60,0 | 112,5 | 75,0 | 135,0 | 90,0 | 180,0 | 120,0 |
| | 50° | 45,0 | 45,0 | 56,2 | 56,2 | 67,5 | 67,5 | 90,0 | 90,0 |
| | 90° | 60,0 | 90,0 | 75,0 | 112,5 | 90,0 | 135,0 | 120,0 | 180,0 |
| SR 240 | 0° | 120,0 | 80,0 | 150,0 | 100,0 | 180,0 | 120,0 | 240,0 | 160,0 |
| | 50° | 60,0 | 60,0 | 75,0 | 75,0 | 90,0 | 90,0 | 120,0 | 120,0 |
| | 90° | 80,0 | 120,0 | 80,0 | 150,0 | 120,0 | 180,0 | 160,0 | 240,0 |
| SR 360 | 0° | 180,0 | 120,0 | 225,0 | 150,0 | 270,0 | 180,0 | 360,0 | 240,0 |
| | 50° | 90,0 | 90,0 | 112,5 | 112,5 | 135,0 | 135,0 | 180,0 | 180,0 |
| | 90° | 120,0 | 180,0 | 150,0 | 225,0 | 180,0 | 270,0 | 240,0 | 360,0 |
| SR 480 | 0° | 240,0 | 160,0 | 300,0 | 200,0 | 360,0 | 240,0 | 480,0 | 320,0 |
| | 50° | 120,0 | 120,0 | 150,0 | 150,0 | 180,0 | 180,0 | 240,0 | 240,0 |
| | 90° | 160,0 | 240,0 | 200,0 | 300,0 | 240,0 | 360,0 | 320,0 | 480,0 |
| SR 720 | 0° | 360,0 | 240,0 | 450,0 | 300,0 | 540,0 | 360,0 | 720,0 | 480,0 |
| | 50° | 180,0 | 180,0 | 225,0 | 225,0 | 270,0 | 270,0 | 360,0 | 360,0 |
| | 90° | 240,0 | 360,0 | 300,0 | 450,0 | 360,0 | 540,0 | 480,0 | 720,0 |
| SR 960 | 0° | 480,0 | 320,0 | 600,0 | 400,0 | 720,0 | 480,0 | 960,0 | 640,0 |
| | 50° | 240,0 | 240,0 | 300,0 | 300,0 | 360,0 | 360,0 | 480,0 | 480,0 |
| | 90° | 320,0 | 480,0 | 400,0 | 600,0 | 480,0 | 720,0 | 640,0 | 960,0 |
| SR 1920 | 0° | 960 | 640 | 1200 | 800 | 1440 | 960 | 1920,0 | 1280,0 |
| | 50° | 480 | 480 | 600 | 600 | 720 | 720 | 960,0 | 960,0 |
| | 90° | 640 | 960 | 800 | 1200 | 960 | 1440 | 1280,0 | 1920,0 |



Attuatore SR DIN/ISO 5211 DIN 3337 misure dal SR 15 al SR 180 SR actuator DIN/ISO 5211 DIN 3337 sizes from SR 15 to SR 180

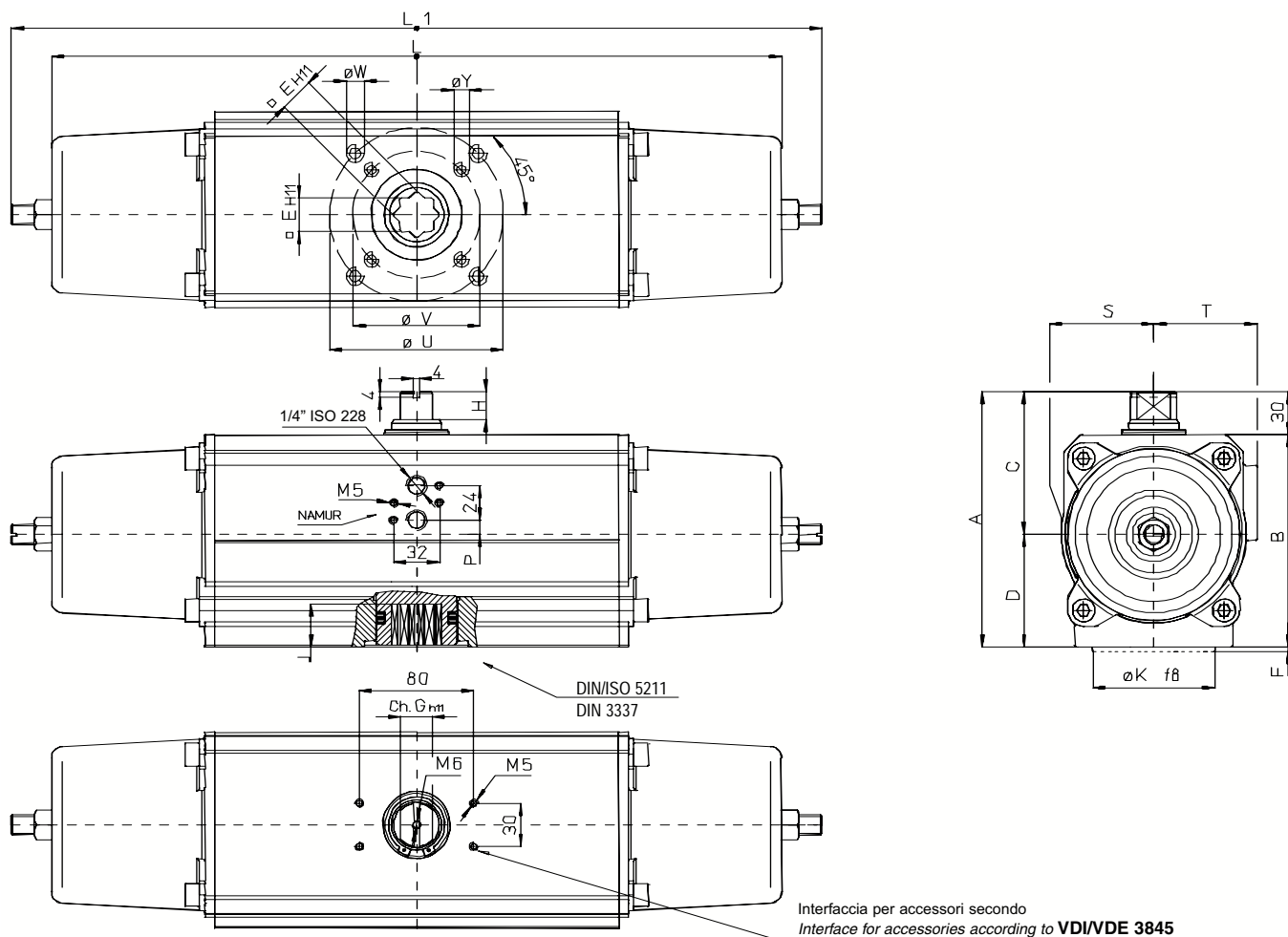
A1



* Per le misure SR 15 ÷ DA 180 é disponibile a richiesta una basetta con interfaccia NAMUR
Sizes from SR 15 to SR 180 can be provided with NAMUR plate on request

| TABELLA DIMENSIONALE DIMENSION TABLE | | SR015401S | SR030401S | SR030402S | SR045401S | SR060401S | SR090401S | SR120401S | SR180401S | | | |
|--------------------------------------|------------------------|-----------|-----------|-----------|-----------|-----------|-----------|-----------|-----------|--|--|--|
| codice code | | SR 15 | SR 30 | SR 30 | SR 45 | SR 60 | SR 90 | SR 120 | SR 180 | | | |
| misura size | | F03-F05 | F04 | F03-F05 | F05-F07 | F05-F07 | F05-F07 | F05-F07 | F07-F10 | | | |
| L | mm. | 194 | 218 | 218 | 259 | 288 | 362 | 372 | 402 | | | |
| L1 | mm. | 221 | 240 | 240 | 294 | 320 | 357 | 368 | 436 | | | |
| A | mm. | 80,4 | 90,4 | 90,4 | 97,5 | 116,4 | 126 | 136,4 | 148 | | | |
| B | mm. | 60 | 70 | 70 | 77,5 | 86 | 96 | 106 | 118 | | | |
| X | mm. | 55 | 65 | 65 | 72 | 80 | 90 | 100 | 112 | | | |
| C | mm. | 47,5 | 52,5 | 52,5 | 56,5 | 70 | 75 | 80 | 86 | | | |
| D | mm. | 32,7 | 37,7 | 37,7 | 41,5 | 46,4 | 51 | 56,4 | 62 | | | |
| E | mm. | 9 | 11 | 11 | 14 | 14 | 17 | 17 | 22 | | | |
| J | mm. | 10,2 | 12,2 | 12,2 | 16,3 | 16,3 | 19,3 | 19,3 | 24,3 | | | |
| G | mm. | 9 | 10 | 10 | 12 | 12 | 15 | 15 | 19 | | | |
| H | mm. | 10 | 13 | 13 | 13 | 13 | 16 | 17 | 19 | | | |
| N | mm. | 20 | 20 | 20 | 20 | 30 | 30 | 30 | 30 | | | |
| øM x prof. depth | mm. | M 5x6 | M 5x6 | M 5x6 | M 5x6 | M 5x6 | M 5x6 | M 5x6 | M 5x6 | | | |
| øO filetto thread | GAS | 1/8" | 1/8" | 1/8" | 1/8" | 1/8" | 1/8" | 1/8" | 1/8" | | | |
| P | mm. | 12 | 17,9 | 17,9 | 17,9 | 21 | 21 | 21 | 25 | | | |
| Q | mm. | 80 | 80 | 80 | 80 | 80 | 80 | 80 | 80 | | | |
| R | mm. | 25 | 20,5 | 20,5 | 20,5 | 25 | 25 | 25 | 25 | | | |
| S | mm. | 0 | 0 | 0 | 0 | 0 | 0 | 0 | 0 | | | |
| T | mm. | 70 | 70 | 70 | 70 | 70 | 70 | 70 | 70 | | | |
| øU | mm. | 50 | ---- | 50 | 70 | 70 | 70 | 70 | 102 | | | |
| øV | mm. | 36 | 42 | 36 | 50 | 50 | 50 | 50 | 70 | | | |
| øK | mm. | 25-35 | 30 | 25-35 | 35-55 | 35-55 | 35-55 | 35-55 | 70 | | | |
| F | mm. | 2 | 2 | 2 | 3 | 3 | 3 | 3 | 3 | | | |
| øY x prof. depth | mm. | M 5x9 | M 5x9 | M 5x9 | M 6x11 | M 6x11 | M 6x11 | M 6x11 | M 8x15 | | | |
| øW x prof. depth | mm. | M 6x11 | ---- | M 6x11 | M 8x15 | M 8x15 | M 8x15 | M 8x15 | M 10x17 | | | |
| Z | mm. | 36 | 36 | 36 | 36 | 36 | 36 | 36 | 36 | | | |
| aria air | dm ³ /cycle | 0,086 | 0,16 | 0,16 | 0,25 | 0,33 | 0,51 | 0,7 | 1,02 | | | |
| peso weight | Kg. | 1,3 | 2 | 2 | 2,4 | 3,5 | 4,6 | 6,7 | 9,4 | | | |

Attuatore SR DIN/ISO 5211 DIN 3337 misure dal SR 240 al SR 960 SR actuator DIN/ISO 5211 DIN 3337 sizes from SR 240 to SR 960



A1

| TABELLA DIMENSIONALE | | DIMENSION TABLE | | | | | | | | | | | | | | | | | | |
|----------------------|------------------------|-------------------|-------------------|---------------|---------------|--------------|--|--|--|--|--|--|--|--|--|--|--|--|--|--|
| codice | code | SR240401S | SR360401S | SR480401S | SR720401S | SR960401S | | | | | | | | | | | | | | |
| misura | size | SR 240 F07-F10 | SR 360 F10-F12 | SR 480 F12 | SR 720 F14 | SR960 F14 | | | | | | | | | | | | | | |
| L | mm. | 421 | 509 | 544 | 670 | 716 | | | | | | | | | | | | | | |
| L1 | mm. | 456 | 565,5 | 602 | 712 | 767 | | | | | | | | | | | | | | |
| A | mm. | 160 | 178 | 186,2 | 216 | 231 | | | | | | | | | | | | | | |
| B | mm. | 130 | 148 | 153,2 | 186 | 198 | | | | | | | | | | | | | | |
| S | mm. | 57,7 | 64,5 | 69 | 79 | 88 | | | | | | | | | | | | | | |
| T | mm. | 67 | 72 | 76 | 86,5 | 92 | | | | | | | | | | | | | | |
| C | mm. | 92 | 99,5 | 100,3 | 114,5 | 121 | | | | | | | | | | | | | | |
| D | mm. | 68 | 78,5 | 86,2 | 101,5 | 110 | | | | | | | | | | | | | | |
| E | mm. | 22 | 27 | 27 | 36 | 36 | | | | | | | | | | | | | | |
| J | mm. | 24,3 | 29,5 | 29,5 | 38,5 | 38,5 | | | | | | | | | | | | | | |
| G | mm. | 19 | 22 | 24 | 27 | 32 | | | | | | | | | | | | | | |
| H | mm. | 19 | 19,5 | 19,5 | 19,5 | 24,5 | | | | | | | | | | | | | | |
| P | mm. | 2 | 10 | 14 | 19 | 20 | | | | | | | | | | | | | | |
| øU | mm. | 102 | 125 | ---- | ---- | ---- | | | | | | | | | | | | | | |
| øV | mm. | 70 | 102 | 125 | 140 | 140 | | | | | | | | | | | | | | |
| øK | mm. | 55-70 | 70-85 | 85 | 100 | 100 | | | | | | | | | | | | | | |
| F | mm. | 3 | 3 | 3 | 3 | 3 | | | | | | | | | | | | | | |
| øY x prof. depth | mm. | M 8x15 | M 10x17 | M 12x21 | M 16x25 | M 16x25 | | | | | | | | | | | | | | |
| øW x prof. depth | mm. | M 10x17 | M 12x21 | ---- | ---- | ---- | | | | | | | | | | | | | | |
| aria air | dm ³ /cycle | 1,38 | 2,02 | 2,69 | 4,21 | 5,58 | | | | | | | | | | | | | | |
| peso weight | Kg. | 11 | 15,9 | 19,2 | 26,7 | 34,4 | | | | | | | | | | | | | | |