

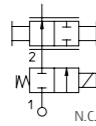


FEATURES

- ▶ Reliable solution for steam
- ▶ Flow regulation for steam control
- ▶ 90° shape for compact installation

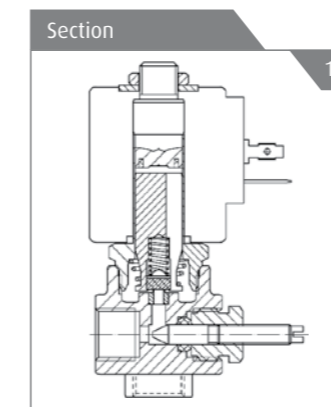
TECHNICAL SPECIFICATION

- ▶ **Body material:** Brass UNI EN 12165 CW617N
- ▶ **Armature tube:** Stainless Steel AISI 300 series
- ▶ Reliable solution for steam
- ▶ **Plungers:** Stainless Steel AISI 400 series
- ▶ **Spring:** Stainless Steel AISI 300 series
- ▶ **Media:** low pressure steam, mineral oils, gasoline, diesel, fuel oils, water
- ▶ **Ambient temperature:** See coils catalogue page for its compatibility
- ▶ **Fluid temperature:** -10°C +140°C with FKM, EPDM seals
-40°C +180°C with PTFE, RUBY seals
- ▶ **Design pressure PS:** 25 bar
- ▶ **Protection class:** IP65 (complete with electric plug)
- ▶ **Electrical conformity:** IEC 335



21A	16	K	T	120		B	D	A	08	024	A	S
Model valve	16= G 1/4	K= N.C.	E= EPDM	25 30	Orefice 10 ⁻¹ mm	B= 30mm Ø 13	D EN 175301-803	A= Class F V= Class H	08= 8W	024= 24V 110= 110V-120V 223= 220V-230V	C= DC A= AC D= AC	S= Without Approval Y= UL, CSA, VDE

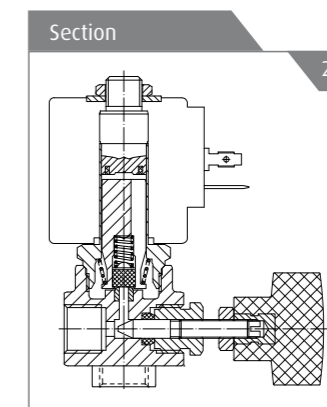
PIPE	Ø (mm)	Kv (l/mn)	MAX VISCOSITY cSt (°E)	PRESSURE min	PRESSURE MAX MOPD (bar)		GAS CODE	NPT CODE	DRAWING REFERENCE
					COIL TYPE				
					AC	DC			
Without Manual Handweel									
G 1/4	2,5	3,2	53(7)	0	14	9	21A16KE25	Not Applicable	1
	3	4			10	6	21A16KE30		1
	2,5	3,2			14	5	21A16KT25		1
	3	4			10	4	21A16KT25		1
With Manual Handweel									
G 1/4	2,5	3,2	53(7)	0	14	9	21A16KE25-XV	Not Applicable	2
	3	4			10	6	21A16KE30-XV		2
	2,5	3,2			14	5	21A16KT25-XV		2
	3	4			10	4	21A16KT25-XV		2



REPAIR KIT
KT130KE30-A
KT130KT30-A

RELATED ITEMS

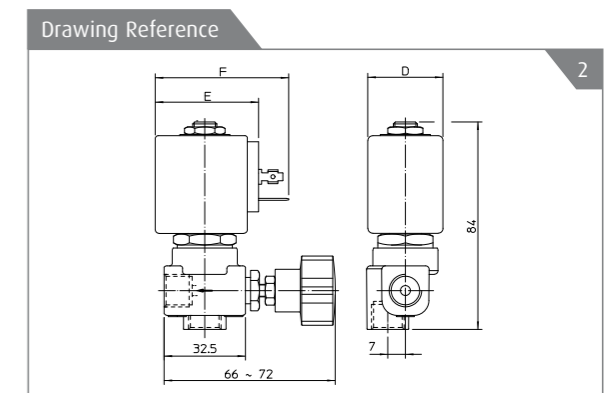
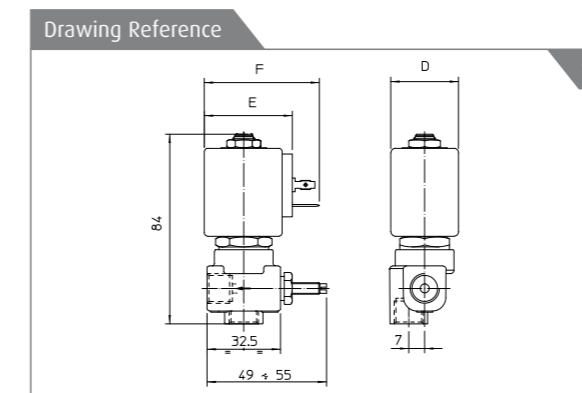
- ▶ P990305: Electrical plug EN 175301-803 Pg9
- ▶ P990306: Electrical plug EN 175301-803 Pg11



REPAIR KIT
KT130KE30-A
KT130KT30-A

INSTALLATION

- ▶ The solenoid valves can be installed in any position
- ▶ Maintenance and instruction sheet available in each solenoid valve box



Dimensionale Table

Figure	Coil Type	D mm	E mm	F mm
1-2	B	30	42	54

