



FEATURES

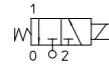
- ▶ Compact design
- ▶ Up to 15 bar
- ▶ Coil adjustable in any position without tools

TECHNICAL SPECIFICATION

- ▶ **Body material:** Brass
- ▶ **Armature tube:** Stainless Steel AISI 300 series
- ▶ **Plungers:** Stainless Steel AISI 400 series
- ▶ **Spring:** Stainless Steel AISI 300 series
- ▶ **Media:** low pressure steam, mineral oils, gasoline, diesel, fuel oils, water
- ▶ **Ambient temperature:** See coils catalogue page for its compatibility
- ▶ **Fluid temperature:** -10°C +90°C with NBR seals
-10°C +140°C with FKM seals
- ▶ **Design pressure PS:** 40 bar
- ▶ **Protection class:** IP 65 (complete with electric plug)
- ▶ **Electrical conformity:** IEC 335
- ▶ **Switching time:** 20-40 msec

AVAILABLE ON REQUEST

- ▶ Manual override (i.e. 21A3KV15-M)
- ▶ NSF approved version
- ▶ Also available with low lead brass for food grade
- ▶ Explosion proof coil Ex nA (see Atex section)



31JN	1	W0	V	12	
Model valve	1= G 1/8	W0= N.C.	V= FKM B= NBR	12 15 23	Orefice 10'1mm

L	B	A	05	024	C	S
L 22 mm 5W	B EN 175301-803	A= Class F	05= 5W	024= 24V	C= DC	S= Without Approval
		V= Class H		110= 110V-120V	A= AC	
				220= 220V	B= AC	U= UL
				230= 230V	A= AC	V= VDE

PIPE	Ø (mm)	Kv (l/min)	MAX VISCOSITY cSt (°E)	PRESSURE min	PRESSURE MAX MOPD (bar)				GAS CODE	NPT CODE	DRAWING REFERENCE
					COIL TYPE						
					AC		DC				
SUBPLATE MOUNTUNG	1,2(*)	1	12(2)	0	15		-		4628Y0V12	N/A	1

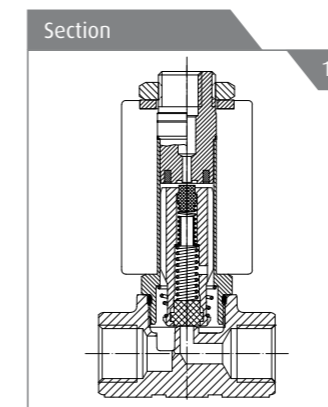
(*) 3rd way exhaust= Ø 1,2mm

SUBPLATE MOUNTUNG	1,2(*)	1	12(2)		15		15		31JKBW0V12		1
G 1/8	1,2(*)	1	12(2)		15		15		31JN1W0V12		1
	1,2(*)	0,6	12(2)	0	15		15		31JR1W0B12-M	N/A	1
	1,5(*)	1	12(2)		10		10		31JR1W0B15-M		1
	2,3(*)	2,3	37(5)		5		5		31JN1W0V23		1

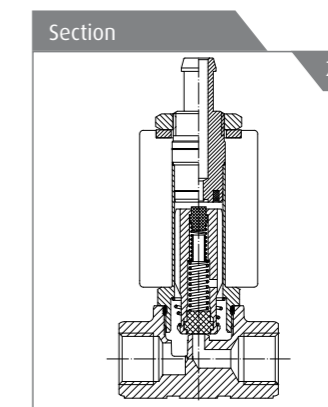
(*) 3rd way exhaust= Ø 1,5mm

G 1/8	1,2(*)	1	12(2)		15		-		31JN1XPV12		2
	1,2(*)	1	12(2)	0	15		15		31JN1XPV12-S	N/A	2
	2,3(*)	2,3	37(5)		-		-		31JN1XPV23		2

(*) 3rd way exhaust= Ø 1,7mm



1 REPAIR KIT
KT100W0V25-FJ



2 REPAIR KIT
KT100XPV25-IJ

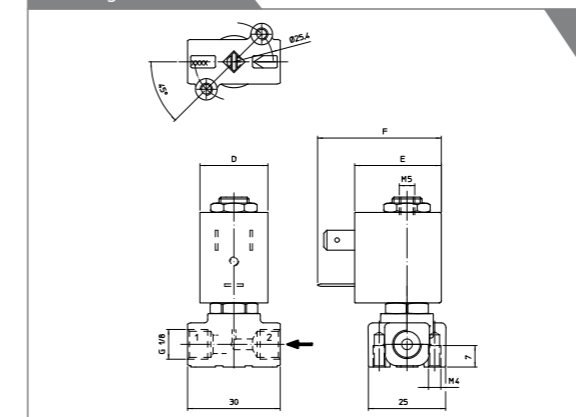
RELATED ITEMS

- ▶ P990305: Electrical plug EN 175301-803 Pg9
- ▶ P990306: Electrical plug EN 175301-803 Pg11
- ▶ P992126: Electrical plug EN 175301-803 Pg9 (with OR screw)
- ▶ P992127: Electrical plug EN 175301-803 Pg11 (with OR screw)
- ▶ P992128: Electrical plug EN 175301-803 cable 2 wires, 53cm
- ▶ R452714: Antihumidity kit (up to IP67 protection together with plugs P992126, P992127; P992128 & H coils class)
- ▶ P992087: Timer for automatic switch

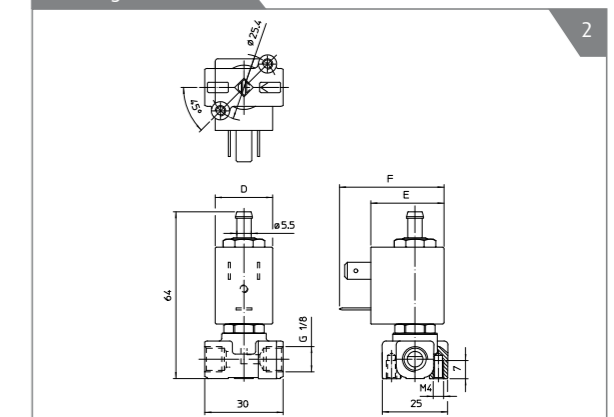
INSTALLATION

- ▶ The solenoid valves can be mounted in any position
- ▶ Holes and threaded connections for panel fixing
- ▶ Other port connections available on request
- ▶ Maintenance and instruction sheet available in each solenoid valve box
- ▶ Availability of repair kit and coils as spares

Drawing Reference



Drawing Reference



Dimensionale Table

Figure	Coil Type	D mm	E mm	F mm
1-2	L	22	27,5	39,5

