

BALL VALVES

Split Wafer

Stainless steel wafer PN 16-40 ANSI 150-300

features

features & benefits

diagrams and break away torque

dimensions and materials

shaft extension

drives



Features

STANDARD FEATURES

No protruding floating ball, full bore

Soft-seat seal TFM 1600

Standard for connecting flanges: EN 1092-1 ed. 2008; ANSI B16.5

Operating temperature see temperature pressure diagram

Pressure class: PN16-40 - ANSI 150-300

Intercepted fluid: air, water, gas, petroleum and petrochemical products, aggressive fluids

Antistatic device EN12662-2

Stem seal: TFM 1600 V-pack

Additional seal on stem with FKM O-ring

Anti Blow-out stem

Actuator connection as per standard ISO 5211

Closing angle >7°

SPECIAL FEATURES ON REQUEST

For other flange types please contact our sales department.

Sealing in: PTFE reinforced with glass (RPTFE-GF), PTFE reinforced with carbon-graphite (RPTFE-CF). For other types of materials please contact our sales department

PTFE cavity filler seat

Mono-directional version with pressure-relief hole in the ball

Stainless steel lever

Stainless steel Stem nuts and springs

For special versions in materials different from the standard (body, ball, stem), please contact our sales department.

CERTIFICATIONS

In compliance with European Directive 97/23 EC PED

In compliance with ATEX 94/9/CE Directive (on request)

Fugitive Emission UNI EN ISO 15848:2006

TA-LUFT VDI 2440.2000

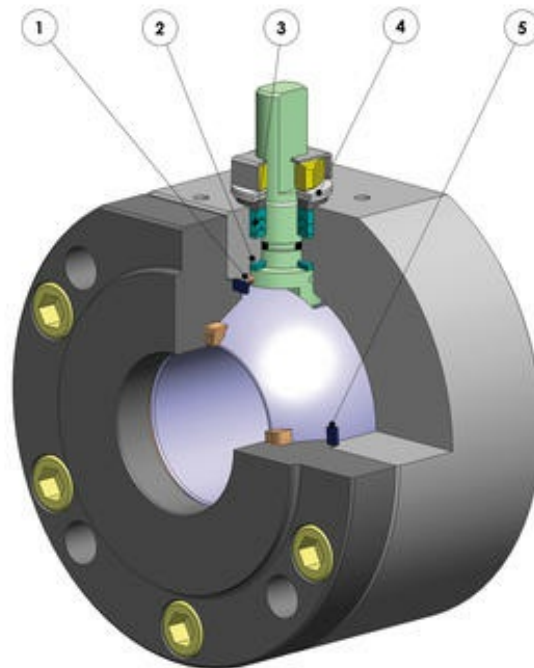
FIRE SAFE: API 607:2005/ISO 10497:2010 - API6FA:1999

ENGINEERING STANDARDS

Body thickness in compliance with: ASME B16.34, ASME VIII div.1, EN 12516.

Materials and rating in compliance with ASME B16.34 for ANSI valves and EN 12516 for PN valves

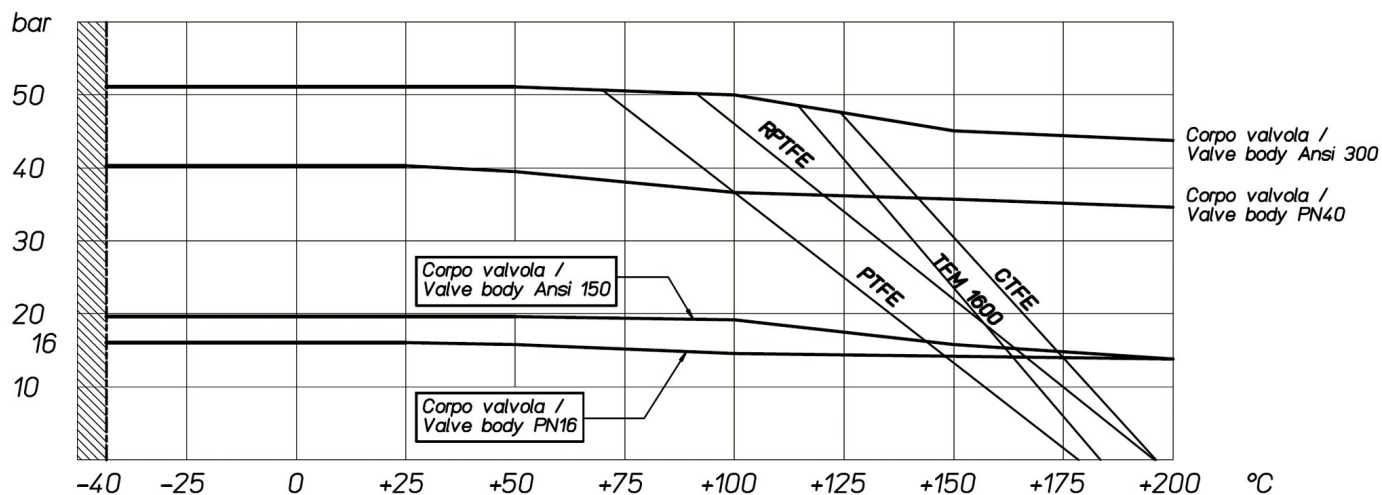
Features & benefits



1	Antistatic device (electrical continuity between ball, stem and body)	Static electricity is avoided which can cause sparks and fire in an inflammable/explosive environment Contact safety throughout the entire life of the valve
2	Double antifriction washer	Less Break Away Torque is granted Less wear comparing with the execution with the single washer
3	"V" seals pack; 3 seals + o-ring	It ensures a perfect tightness even after a high number of cycles
4	Spring washer on the shaft seal	Guarantee of the recovery of the gap due to the wear caused by the rotational movement of the shaft avoiding leakage towards the outside part. Allow to maintain energized the "chevron" seals (V), thus avoiding any leakage to the outside, against huge temperature excursions
5	Stretch Graphite seal	Tightness towards outside is granted, independently by the thermal excursions to which the valve is subjected
	Greater precision in the alignment of axes due to a unique positioning in the process machining from raw material to finished valve	Longer lifetime of the valve Less break away torque
	Valves in carbon steel made with certified material - NACE as standard	Greater corrosion resistance Greater ductility of the material
	100% in-house manufacturing process technology	Maximum control and accuracy in all the stages of the manufacturing process Flexibility in supply quickly special executions requested by customers
	"Fire safe" Certificate	Guarantees the tightness of the valve also in case of fire
	ATEX Certificate	Installation is possible in a potential explosive environment
	TA LUFT fugitive emission Certificate	High level of safety of the tightness towards the outside is granted
	PED Certificate	Full compliance with European Safety Standards for Pressure Equipment

Diagrams and break away torque

Temperature/pressure diagram for stainless steel valve



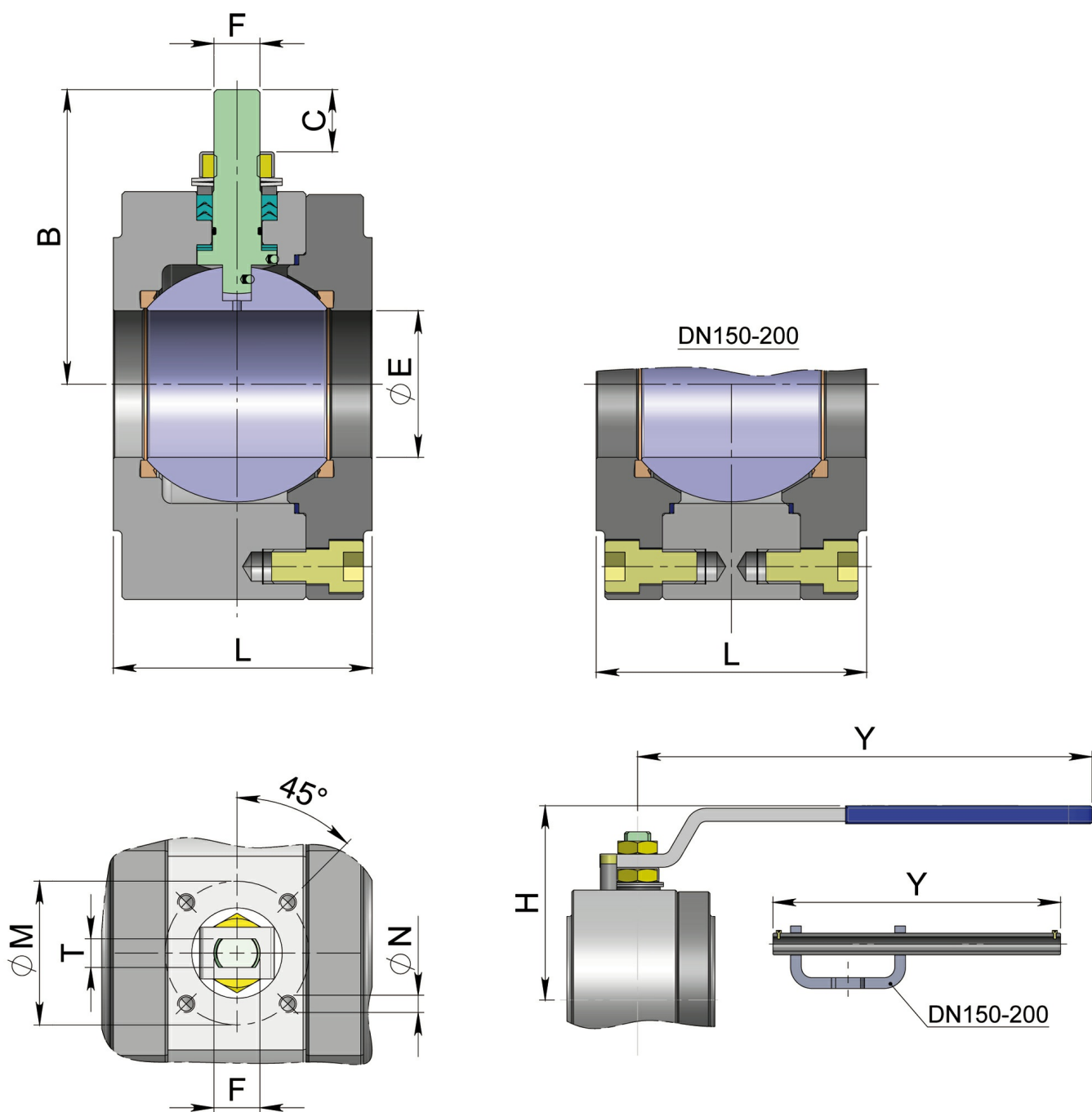
BREAK AWAY TORQUE IN Nm WITH TFM 1600 SEAT AND WATER INTERCEPTED FLUID (*)

size	DN 15	DN 20	DN 25	DN 32	DN 40	DN 50	DN 65	DN 80	DN 100	DN 125	DN 150	DN 200
0 bar												
PN16 bar	8	13	18	27	37	61	80	120	220	270	450	850
PN25 bar	9,5	15	20	29	40	67	95	130	240	383		
PN40 bar	11	17	21	31	41	75	110	165	290	510		
Ansi 150-20 bar	9	14	19	28	38	65	90	128	225	360	480	910
Ansi 300-50 bar	12	19	21	32	42	80	120	170	300	570		

(*): If not lubricated fluids and/or fluids containing solid particles are intercepted, torques could be higher than those in the table.

Torque can vary depending on temperature and type of fluid, a safety factor 1.4 must be applied. Torque can drop on high frequency of operation.

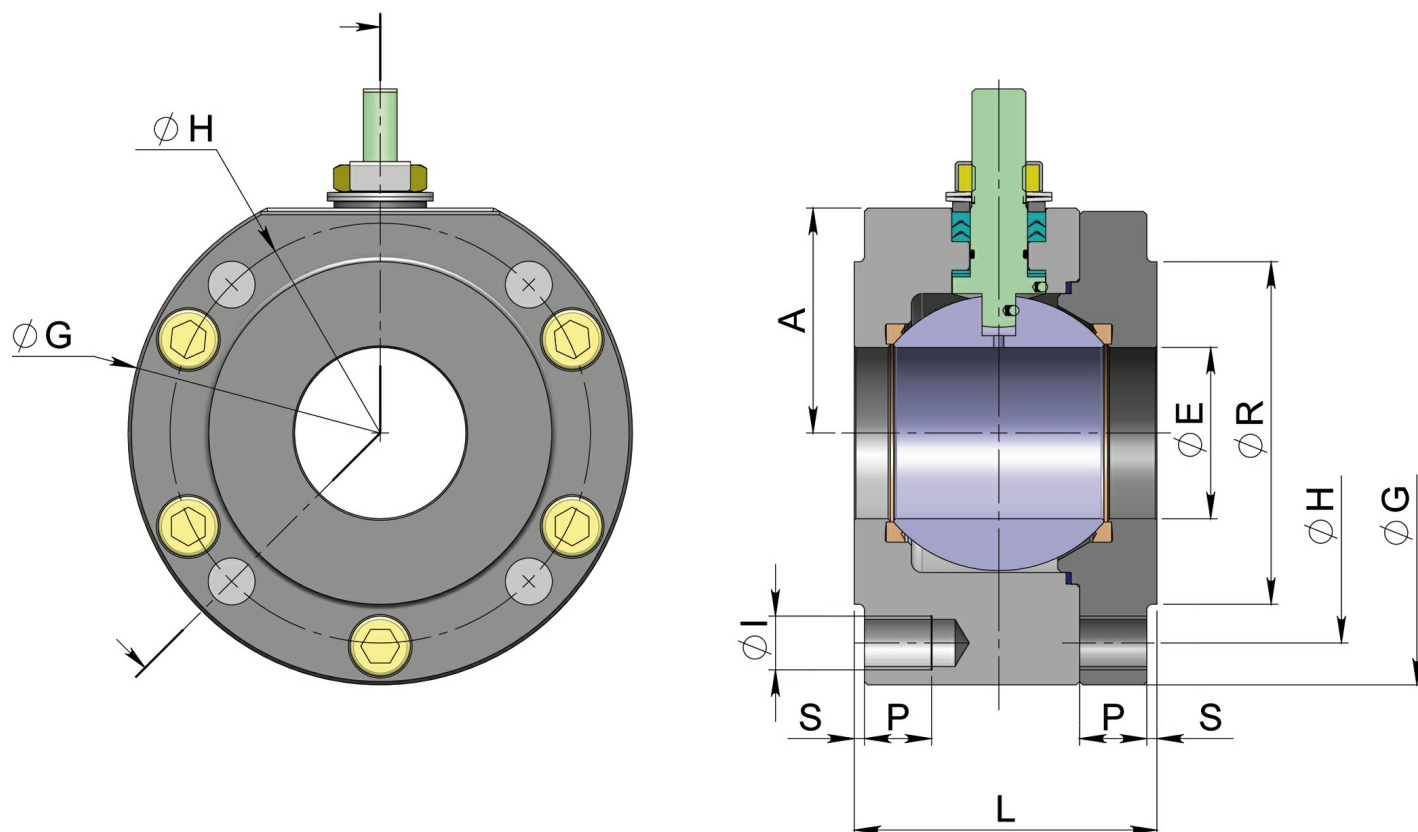
The sizing of pneumatic actuators has been done considering a minimum supply pressure of 5,6 barg.



DIMENSIONS TABLE

SIZE	E	L	B	C	ATT.ISO	M	N	F/T	H	Y	LEVER KIT
DN 15	13	36	52	10	F03	36	M5	10/6	70	140	KLV58004
DN 20	19	39	55	10	F03	36	M5	10/6	73	140	KLV58004
DN 25	25	43	68	15	F04	42	M5	12/8	86	150	KLV58006
DN 32	32	51 o 54	73	15	F04	42	M5	12/8	91	150	KLV58006
DN 40	38	63	93	21	F05	50	M6	16/10	108	275	KLV58008
DN 50	51	83	102	21	F05	50	M6	16/10	117	275	KLV58008
DN65	64	107	130,5	28	F07	70	M8	22/14	142	350	KLV58010

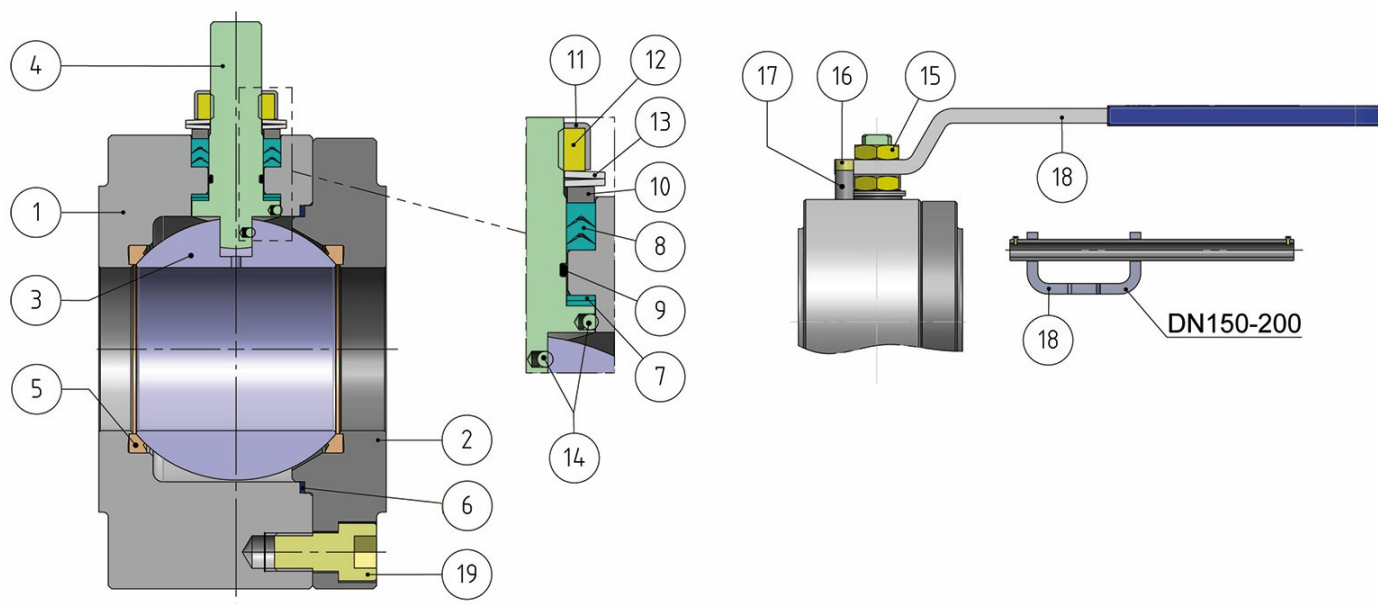
DN 80	76	120	137,5	28	F07	70	M8	22/14	149	350	KLV58010
DN 100	95	152	166	35	F10	102	M10	30/18	191	450	KLV58012



DIMENSIONS TABLE

SIZE	PN/ANSI	A	G	R	S	H	N° HOLES	I	P	KG.	L	SEALS KIT
DN 15	PN 16-40	32	90	45	2	65	4	M12	15	2,1	53	KGBV485040
DN 15	ANSI 150	32	90	35	1,6	60,3	4	1/2"UNC	16	2,1	53	KGBV485040
DN 15	ANSI 300	34	90	34,9	1,6	66,7	4	1/2"UNC	16	2,1	53	KGBV485040
DN 20	PN 16-40	35	100	58	2	75	4	M12	14	2,4	53	KGBV485050
DN 20	ANSI 150	35	100	43	1,6	69,8	4	1/2"UNC	16	2,5	53	KGBV485050
DN 20	ANSI 300	40	110	43	1,6	82,5	4	5/8"UNC	16	3,1	53	KGBV485050
DN 25	PN 16-40	42	110	68	2	85	4	M12	16	3,5	58	KGBV485060
DN 25	ANSI 150	42	110	51	1,6	79,4	4	1/2"UNC	16	3,4	58	KGBV485060
DN 25	ANSI 300	45	120	51	1,6	88,9	4	5/8"UNC	20	3,8	58	KGBV485060
DN 32	PN 16-40	47	130	78	2	100	4	M16	20	5,2	65	KGBV485070
DN 32	ANSI 150	47	130	63,5	1,6	89	4	1/2"UNC	20	5,2	65	KGBV485070
DN 32	ANSI 300	47	130	63,5	1,6	98,4	4	5/8"UNC	20	5,2	65	KGBV485070
DN 40	PN 16-40	58	140	88	3	110	4	M16	20	7,5	79	KGBV485080
DN 40	ANSI 150	58	140	73	1,6	98,4	4	1/2"UNC	20	7,5	79	KGBV485080
DN 40	ANSI 300	58	150	73	1,6	114,3	4	3/4"UNC	22	8,6	79	KGBV485080
DN 50	PN 16-40	67	150	102	3	125	4	M16	20	9,7	90	KGBV485090
DN 50	ANSI 150	67	150	92	1,6	120,6	4	5/8"UNC	20	9,7	90	KGBV485090

DN 50	ANSI 300	73	160	92	1,6	127	8	5/8"UNC	20	11,2	90	KGBV485090
DN 65	PN16	83	178	122	3	145	4	M16	20	16,4	107	KGBV485100
DN 65	PN25-40	83	178	122	3	145	8	M16	20	16,1	107	KGBV485100
DN 65	ANSI 150	83	178	104,7	1,6	139,7	4	5/8"UNC	20	16,5	107	KGBV485100
DN 65	ANSI 300	89	190	104,7	1,6	149,2	8	3/4"UNC	25	18,7	107	KGBV485100
DN 80	PN 16-40	90	190	138	3	160	8	M16	20	20,2	120	KGBV485110
DN 80	ANSI 150	90	190	127	1,6	152,4	4	5/8"UNC	20	20,7	120	KGBV485110
DN 80	ANSI 300	96	205	127	1,6	168,3	8	3/4"UNC	25	24	120	KGBV485110
DN 100	PN16	107	235	158	3	180	8	M16	20	40,4	167	KGBV485120
DN 100	PN 25-40	107	235	162	3	190	8	M20	25	40,5	167	KGBV485120
DN 100	ANSI 150	107	235	157,2	1,6	190,5	8	5/8"UNC	20	40,7	167	KGBV485120
DN 100	ANSI 300	115	250	157,2	1,6	200	8	3/4"UNC	25	48,2	167	KGBV485120
DN 125	PN16	117	250	188	3	210	8	M16	25	48,2	180	KGBV485130
DN 125	PN 25-40	125	270	188	3	220	8	M24	30	57,9	180	KGBV485130
DN 125	ANSI 150	117	250	185,7	1,6	216	8	3/4"UNC	30	48,3	180	KGBV485130
DN150	PN16	154	332	212	3	240	8	M20	25	109,3	240	KGBV485140
DN 150	ANSI 150	154	332	216	1,6	241,3	8	3/4"UNC	25	110,3	240	KGBV485140
DN 200	PN16	188	396	268	3	295	12	M20	30	191,8	314	KGBV485150
DN 200	ANSI 150	188	396	269,9	1,6	298,5	8	3/4"UNC	30	193,7	314	KGBV485150



MATERIALS TABLE

N°	Description	304 acciaio inox	F316 acciaio inox	Duplex
1	Body	ASTM A182 F304 / A479TP.304 (1.4301 / X5CrNi18-10)	ASTM A182 F316 / A479TP.316 (x) (1.4401 / X5CrNiMo17-12-2)	ASTM A182 F51 (UNS 31803)
2	Ring nut			

3	Ball	ASTM A351 CF8 (*) (1.4308/Gx5CrNi19-10)	ASTM A351 CF8M (1.4408/GX5CrNiMo19-12-2)	ASTM A182 F51 (UNS 31803) / A995 CD3MN (UNS J92205)
4	Stem	A564 TP.630 (17-4PH)	A564 TP.630 (17-4PH)	ASTM A182 F51 (UNS 31803)
5	Seat	TFM1600 (.)	TFM1600 (.)	TFM1600 (.)
6	Body-ring nut gasket	GRAFOIL	GRAFOIL	GRAFOIL
7	Stem lower sealing	TFM1600 (.)	TFM1600 (.)	TFM1600 (.)
8	Chevron rings	TFM1600 (.)	TFM1600 (.)	TFM1600 (.)
9	Stem O-ring	FKM (.)	FKM (.)	FKM (.)
10	Packing gland ring	304 S.S.	304 S.S.	304 S.S.
11	Stop nut plate	304 S.S.	304 S.S.	304 S.S.
12	Stem nut	UNI 3740-1 6S ZINCATO (x)	UNI 3740-1 6S ZINCATO (x)	A2-70 UNI 3740 (304 S.S.)
13	Spring washer	50CrV4 ZINCATO (xx)	50CrV4 ZINCATO (xx)	301 S.S.
14	Antistatic device	316 S.S.	316 S.S.	316 S.S.
19	Body ring nut screw	A2-70 UNI 3740 (304 S.S.)	A2-70 UNI 3740 (304 S.S.)	A2-70 UNI3740 (304 S.S.)
15	Lock nut	UNI 3740-1 6S ZINCATO (x)	UNI 3740-1 6S ZINCATO (x)	A2-70 UNI 3740 (304 S.S.)
16	Holder screw	A2-70 UNI 3740 (304 S.S.)	A2-70 UNI 3740 (304 S.S.)	A2-70 UNI 3740 (304 S.S.)
17	Holder screw	Acciaio al carbonio zincato (x)	Acciaio al carbonio zincato (x)	304 s.s.
18	Lever	Fe37 zincato (x)	Fe37 zincato (x)	304 s.s.

Available on request:

(*): A351 CF8M

(**): A564 TP.630 (17-4PH)

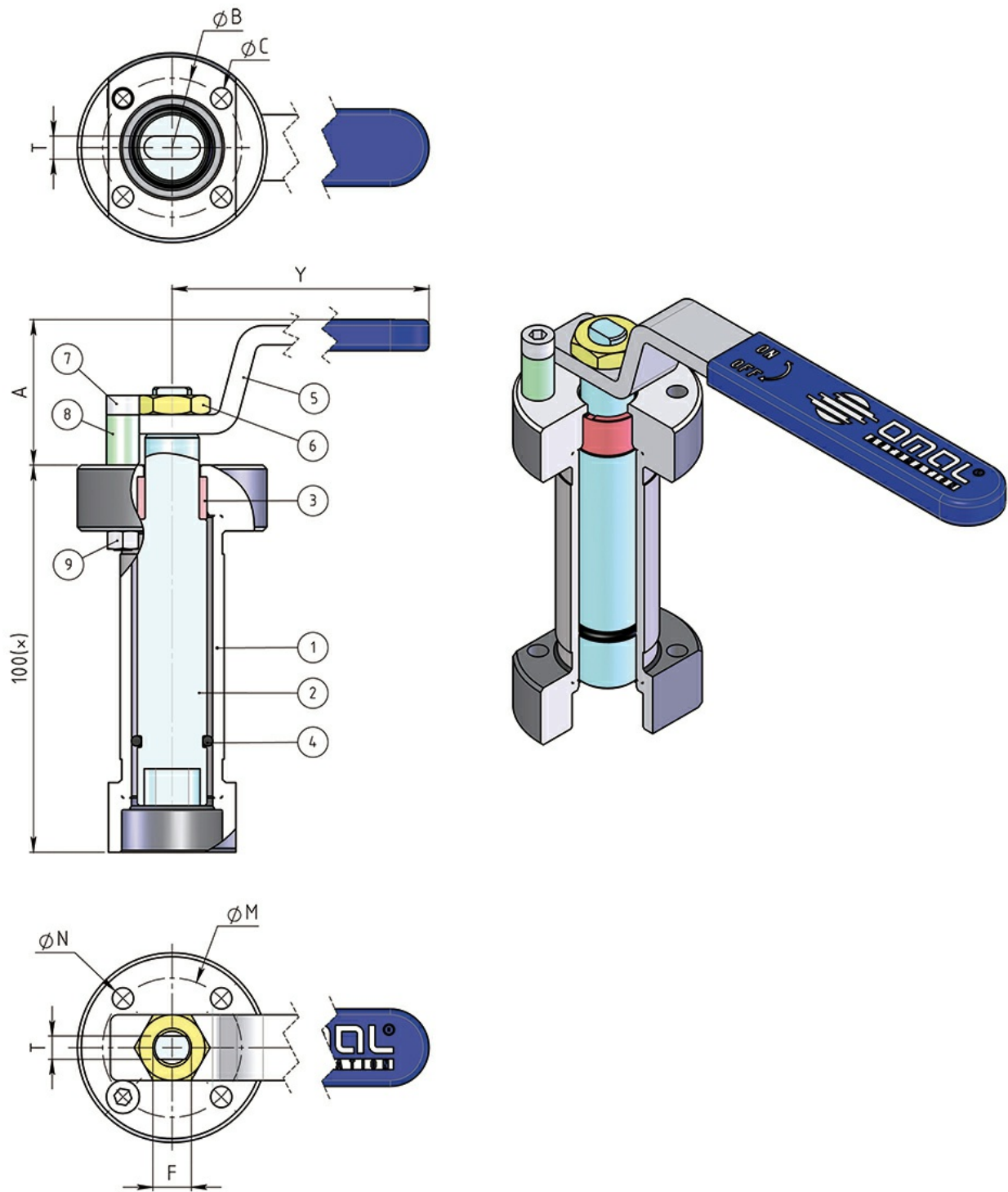
(x): 304 s.s.

(xx): 301 s.s.

(.): Other materials available on request

Shaft extension

WELDED SPINDLE EXTENSION WITH LEVER



MATERIALS TABLE

PART. N°	DESCRIPTION	MATERIALS
1	Extension	AISI304 S.S.
2	Pin	AISI 430 F
3	Bush	DELRIN
4	O-RING	NBR
5	Lever	Fe 37 galvanized (*)

6	Nut	galvanized carbon steel (*)
7	Holder Lever	galvanized carbon steel (*)
8	Holder screw	A2-70
9	Lever nut	A2 (**)

(*): On request available in Aisi 304 s.s.

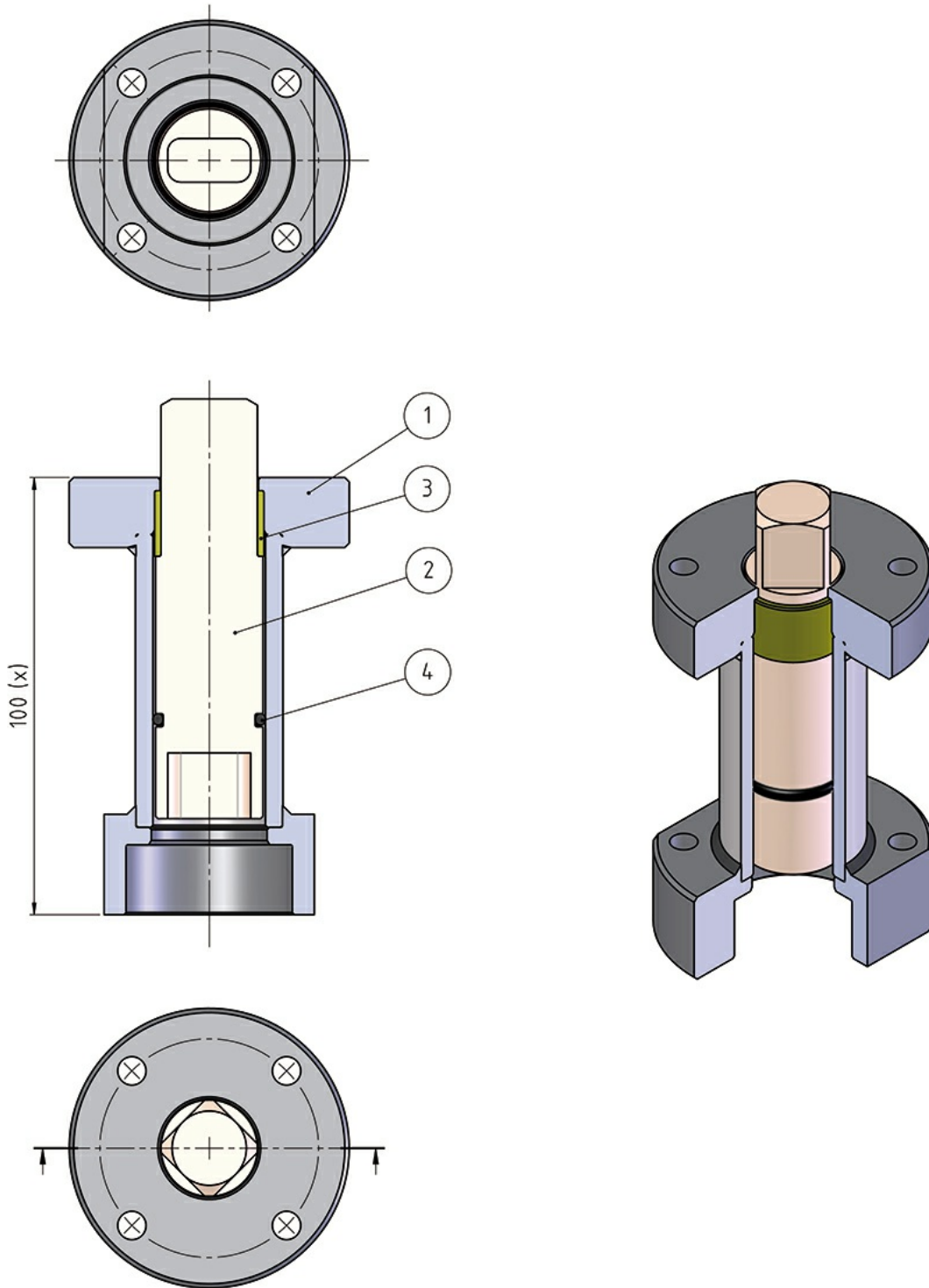
(**): No available on valves with Iso connection F04

DIMENSIONS TABLE

ISO	A	B	C	M	N	F/T	Y
F03	36	36	5,5	36	5,5	10/6	140
F04	43	42	5,5	42	M5	12/8	150
F05	45	50	6,5	50	6,5	16/10	275
F07	54	70	9	70	9	22/14	350
F10	76	102	11	102	11	30/18	450

NOTE: Code of the spindle extension depending from drive's type and valve's connection; to be requested at the order"

SPINDLE EXTENSION FOR ACTUATORS



NOTE: Dimensions depending from valve's connection

NOTE: Dimensions depending from actuator's size

MATERIALS TABLE

PART. N°	DESCRIPTION	MATERIALS
1	Prolunga Extension	304 S.S.
2	Perno Pin	AISI 430 F
3	Bussola Bush	DELRIN
4	O-RING O-RING	NBR

NOTE: Code of the spindle extension depending from drive's type and valve's connection; to be requested at the order"



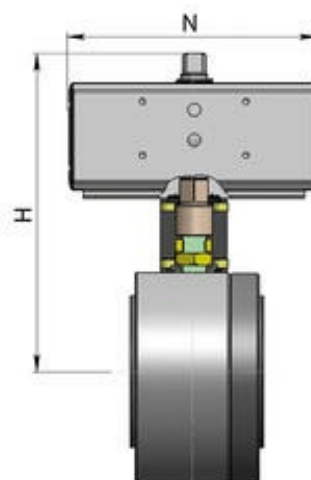
Drives - Bare shaft and lever

STAINLESS STEEL BARE SHAFT (V__) AND LEVER (L__) OPERATED VALVE CODE				
size	PN/ANSI	F304 Stainless steel	F316 Stainless steel	F51 Duplex Stainless steel
DN 15	PN 16-40	V/LM404F00AAB0AAQNV000	V/LM404F00ABA0AAQNV000	V/LM404F00AID0CAQNV000
DN 15	ANSI 150	V/LM404101AAB0AAQNV000	V/LM404101ABA0AAQNV000	V/LM404101AID0CAQNV000
DN 15	ANSI 300	V/LM404201AAB0AAQNV000	V/LM404201ABA0AAQNV000	V/LM404201AID0CAQNV000
DN 20	PN 16-40	V/LM405F00AAB0AAQNV000	V/LM405F00ABA0AAQNV000	V/LM405F00AID0CAQNV000
DN 20	ANSI 150	V/LM405101AAB0AAQNV000	V/LM405101ABA0AAQNV000	V/LM405101AID0CAQNV000
DN 20	ANSI 300	V/LM405201AAB0AAQNV000	V/LM405201ABA0AAQNV000	V/LM405201AID0CAQNV000
DN 25	PN 16-40	V/LM406F00AAB0AAQNV000	V/LM406F00ABA0AAQNV000	V/LM406F00AID0CAQNV000
DN 25	ANSI 150	V/LM406101AAB0AAQNV000	V/LM406101ABA0AAQNV000	V/LM406101AID0CAQNV000
DN 25	ANSI 300	V/LM406201AAB0AAQNV000	V/LM406201ABA0AAQNV000	V/LM406201AID0CAQNV000
DN 32	PN 16-40	V/LM407F00AAB0AAQNV000	V/LM407F00ABA0AAQNV000	V/LM407F00AID0CAQNV000
DN 32	ANSI 150	V/LM407101AAB0AAQNV000	V/LM407101ABA0AAQNV000	V/LM407101AID0CAQNV000
DN 32	ANSI 300	V/LM407201AAB0AAQNV000	V/LM407201ABA0AAQNV000	V/LM407201AID0CAQNV000
DN 40	PN 16-40	V/LM408F00AAB0AAQNV000	V/LM408F00ABA0AAQNV000	V/LM408F00AID0CAQNV000
DN 40	ANSI 150	V/LM408101AAB0AAQNV000	V/LM408101ABA0AAQNV000	V/LM408101AID0CAQNV000
DN 40	ANSI 300	V/LM408201AAB0AAQNV000	V/LM408201ABA0AAQNV000	V/LM408201AID0CAQNV000
DN 50	PN 16-40	V/LM409F00AAB0AAQNV000	V/LM409F00ABA0AAQNV000	V/LM409F00AID0CAQNV000
DN 50	ANSI 150	V/LM409101AAB0AAQNV000	V/LM409101ABA0AAQNV000	V/LM409101AID0CAQNV000
DN 50	ANSI 300	V/LM409201AAB0AAQNV000	V/LM409201ABA0AAQNV000	V/LM409201AID0CAQNV000
DN 65	PN16	V/LM410E00AAB0AAQNV000	V/LM410E00ABA0AAQNV000	V/LM410E00AID0CAQNV000
DN 65	PN25-40	V/LM410I00AAB0AAQNV000	V/LM410I00ABA0AAQNV000	V/LM410I00AID0CAQNV000
DN 65	ANSI 150	V/LM410101AAB0AAQNV000	V/LM410101ABA0AAQNV000	V/LM410101AID0CAQNV000
DN 65	ANSI 300	V/LM410201AAB0AAQNV000	V/LM410201ABA0AAQNV000	V/LM410201AID0CAQNV000
DN 80	PN 16-40	V/LM411F00AAB0AAQNV000	V/LM411F00ABA0AAQNV000	V/LM411F00AID0CAQNV000
DN 80	ANSI 150	V/LM411101AAB0AAQNV000	V/LM411101ABA0AAQNV000	V/LM411101AID0CAQNV000
DN 80	ANSI 300	V/LM411201AAB0AAQNV000	V/LM411201ABA0AAQNV000	V/LM411201AID0CAQNV000
DN 100	PN16	V/LM412E00AAB0AAQNV000	V/LM412E00ABA0AAQNV000	V/LM412E00AID0CAQNV000
DN 100	PN 25-40	V/LM412I00AAB0AAQNV000	V/LM412I00ABA0AAQNV000	V/LM412I00AID0CAQNV000
DN 100	ANSI 150	V/LM412101AAB0AAQNV000	V/LM412101ABA0AAQNV000	V/LM412101AID0CAQNV000
DN 100	ANSI 300	V/LM412201AAB0AAQNV000	V/LM412201ABA0AAQNV000	V/LM412201AID0CAQNV000
DN 125	PN16	V/LM413E00AAB0AAQNV000	V/LM413E00ABA0AAQNV000	V/LM413E00AID0CAQNV000
DN 125	PN 25-40	V/LM413I00AAB0AAQNV000	V/LM413I00ABA0AAQNV000	V/LM413I00AID0CAQNV000
DN 125	ANSI 150	V/LM413101AAB0AAQNV000	V/LM413101ABA0AAQNV000	V/LM413101IDA0CAQNV000
DN 150	PN16	V/LM414E00AAB0AAQNV000	V/LM414E00ABA0AAQNV000	V/LM414E00IDA0CAQNV000
DN 150	ANSI 150	V/LM414101AAB0AAQNV000	V/LM414101ABA0AAQNV000	V/LM414101IDA0CAQNV000

DN 200	PN16	V/LM415E00AAB0AAQNV000	V/LM415E00ABA0AAQNV000	V/LM415E00IDA0CAQNV000
DN 200	ANSI 150	V/LM415101AAB0AAQNV000	V/LM415101ABA0AAQNV000	V/LM415101IDA0CAQNV000



Drives - Double acting pneumatic actuator



Item codes in F304 E F316 STAINLESS Steel

Body F304 STAINLESS STEEL	Body F316 STAINLESS STEEL	Actuator	Connecting kit	Size	PN	N	H	Kg
DM404E00AAB0AAQNV000AABA0	DM404E00ABA0AAQNV000AABA0	DA015401S	KCF033761	DN 15	16	115	144,4	3,2
DM404I00AAB0AAQNV000AACA0	DM404I00ABA0AAQNV000AACA0	DA030401S	KCF033761	DN 15	25- 40	130	152,4	3,4
DM405F00AAB0AAQNV000AACA0	DM405F00ABA0AAQNV000AACA0	DA030401S	KCF033761	DN 20	16- 40	130	155,4	3,8
DM406F00AAB0AAQNV000AACA0	DM406F00ABA0AAQNV000AACA0	DA030401S	KCF033760	DN 25	16- 40	130	162,4	4,9
DM407F00AAB0AAQNV000AADA0	DM407F00ABA0AAQNV000AADA0	DA045402S	KCF043762	DN 32	16- 40	144	172,7	6,6
DM408F00AAB0AAQNV000AAEA0	DM408F00ABA0AAQNV000AAEA0	DA060402S	KCF043763	DN 40	16- 40	152	198,4	9,2
DM409E00AAB0AAQNV000AAFA0	DM409E00ABA0AAQNV000AAFA0	DA090401S	KCF053764	DN 50	16	169	214,5	11,7
DM409I00AAB0AAQNV000AAHA0	DM409I00ABA0AAQNV000AAHA0	DA120401S	KCF053764	DN 50	25- 40	184	233,4	12,5
DM410E00AAB0AAQNV000AAHA0	DM410E00ABA0AAQNV000AAHA0	DA120401S	KCF053773	DN 65	16	184	259,4	19,5
DM410I00AAB0AAQNV000AAIA0	DM410I00ABA0AAQNV000AAIA0	DA180401S	KCF073765	DN 65	25- 40	212	269	19,8
DM411E00AAB0AAQNV000AAIA0	DM411E00ABA0AAQNV000AAIA0	DA180401S	KCF073765	DN 80	16	212	276	23,5

DM411I00AAB0AAQNV000AAJA0	DM411I00ABA0AAQNV000AAJA0	DA240401S	KCF073765	DN 80	25-40	242	284,4	25,5
DM412E00AAB0AAQNV000AAKA0	DM412E00ABA0AAQNV000AAKA0	DA360401S	KCF103777	DN 100	16	264	335	48,9
DM412I00AAB0AAQNV000AALA0	DM412I00ABA0AAQNV000AALA0	DA480401S	KCF103777	DN 100	25-40	295	347	50,1
DM413E00AAB0AAQNV000AALA0	DM413E00ABA0AAQNV000AALA0	DA480401S	KCF103777	DN 125	16	295	357	57,8
DM413I00AAB0AAQNV000AAMA0	DM413I00ABA0AAQNV000AAMA0	DA720401S	KCF123898	DN 125	25-40	329,5	383	71,9
DM414E00AAB0AAQNV000AAMA0	DM414E00ABA0AAQNV000AAMA0	DA720401S	KCF123900	DN 150	16	329,5	432	127
DM415E00AAB0AAQNV000AAQA0	DM415E00ABA0AAQNV000AAQA0	DAN1440411S	KCF143902	DN 200	16	567	524	222

Item codes in F51 STAINLESS Steel

BODY F51 DUPLEX STAINLESS STEEL	Actuator	Connecting kit	Size	PN	N	H	Kg
DM404E00AID0CAQNV000AABA0	DA015401S	KCF033761	DN 15	16	115	144,4	3,2
DM404I00AID0CAQNV000ACA0	DA030401S	KCF033761	DN 15	25-40	130	152,4	3,4
DM405F00AID0CAQNV000ACA0	DA030401S	KCF033761	DN 20	16-40	130	155,4	3,8
DM406F00AID0CAQNV000ACA0	DA030401S	KCF033760	DN 25	16-40	130	162,4	4,9
DM407F00AID0CAQNV000ADA0	DA045402S	KCF043762	DN 32	16-40	144	172,7	6,6
DM408F00AID0CAQNV000AEA0	DA060402S	KCF043763	DN 40	16-40	152	198,4	9,2
DM409E00AID0CAQNV000AFA0	DA090401S	KCF053764	DN 50	16	169	214,5	11,7
DM409I00AID0CAQNV000AHA0	DA120401S	KCF053764	DN 50	25-40	184	233,4	12,5
DM410E00AID0CAQNV000AHA0	DA120401S	KCF053773	DN 65	16	184	259,4	19,5
DM410I00AID0CAQNV000AIA0	DA180401S	KCF073765	DN 65	25-40	212	269	19,8
DM411E00AID0CAQNV000AIA0	DA180401S	KCF073765	DN 80	16	212	276	23,5
DM411I00AID0CAQNV000AAJA0	DA240401S	KCF073765	DN 80	25-40	242	284,4	25,5
DM412E00AID0CAQNV000AAKA0	DA360401S	KCF103777	DN 100	16	264	335	48,9
DM412I00AID0CAQNV000AALA0	DA480401S	KCF103777	DN 100	25-40	295	347	50,1
DM413E00AID0CAQNV000AALA0	DA480401S	KCF103777	DN 125	16	295	357	57,8
DM413I00AID0CAQNV000AAMA0	DA720401S	KCF123898	DN 125	25-40	329,5	383	71,9
DM414E00AID0CAQNV000AAMA0	DA720401S	KCF123900	DN 150	16	329,5	432	127
DM415E00AID0CAQNV000AAQA0	DAN1440411S	KCF143902	DN 200	16	567	524	222

Item codes in F304 E F316 STAINLESS Steel

BODY F304 STAINLESS STEEL	BODY F316 STAINLESS STEEL	Actuator	Connecting kit	Size	ANSI	N	H	Kg
DM404101AAB0AAQNV000AABA0	DM404101ABA0AAQNV000AABA0	DA015401S	KCF033761	DN 15	ANSI 150	115	144,4	3,2

DM404201AAB0AAQNV000AACAO	DM404201ABA0AAQNV000AACAO	DA030401S	KCF033882	DN 15	ANSI 300	130	154,4	3,4
DM405101AAB0AAQNV000AACAO	DM405101ABA0AAQNV000AACAO	DA030401S	KCF033761	DN 20	ANSI 150	130	155,4	3,6
DM405201AAB0AAQNV000AACAO	DM405201ABA0AAQNV000AACAO	DA030401S	KCF033883	DN 20	ANSI 300	130	159,4	4,5
DM406101AAB0AAQNV000AACAO	DM406101ABA0AAQNV000AACAO	DA030401S	KCF033760	DN 25	ANSI 150	130	162,4	4,8
DM406201AAB0AAQNV000AACAO	DM406201ABA0AAQNV000AACAO	DA030401S	KCF033884	DN 25	ANSI 300	130	165,4	5,2
DM407101AAB0AAQNV000AADA0	DM407101ABA0AAQNV000AADA0	DA045402S	KCF043762	DN 32	ANSI 150	144	172,7	6,9
DM407201AAB0AAQNV000AADA0	DM407201ABA0AAQNV000AADA0	DA045402S	KCF043762	DN 32	ANSI 300	144	172,7	6,9
DM408101AAB0AAQNV000AAEA0	DM408101ABA0AAQNV000AAEA0	DA060402S	KCF043763	DN 40	ANSI 150	152	198,4	9,9
DM408201AAB0AAQNV000AAEA0	DM408201ABA0AAQNV000AAEA0	DA060402S	KCF043763	DN 40	ANSI 300	152	198,4	11,1
DM409101AAB0AAQNV000AAFA0	DM409101ABA0AAQNV000AAFA0	DA090401S	KCF053764	DN 50	ANSI 150	169	214,5	11,8
DM409201AAB0AAQNV000AAHA0	DM409201ABA0AAQNV000AAHA0	DA120401S	KCF053885	DN 50	ANSI 300	184	239,4	13,0
DM410101AAB0AAQNV000AAHA0	DM410101ABA0AAQNV000AAHA0	DA120401S	KCF053773	DN 65	ANSI 150	184	259,4	19,5
DM410201AAB0AAQNV000AAIA0	DM410201ABA0AAQNV000AAIA0	DA180401S	KCF073886	DN 65	ANSI 300	212	275	22,5
DM411101AAB0AAQNV000AAIA0	DM411101ABA0AAQNV000AAIA0	DA180401S	KCF073765	DN 80	ANSI 150	212	276	24,1
DM411201AAB0AAQNV000AAJA0	DM411201ABA0AAQNV000AAJA0	DA240401S	KCF073886	DN 80	ANSI 300	242	292,4	27,8
DM412101AAB0AAQNV000AAKA0	DM412101ABA0AAQNV000AAKA0	DA360401S	KCF103777	DN 100	ANSI 150	264	335	49,0
DM412201AAB0AAQNV000AALA0	DM412201ABA0AAQNV000AALA0	DA480401S	KCF103904	DN 100	ANSI 300	295	356	57,8
DM413101AAB0AAQNV000AALA0	DM413101ABA0AAQNV000AALA0	DA480401S	KCF103777	DN 125	ANSI 150	295	357	57,9
DM414101AAB0AAQNV000AAMA0	DM414101ABA0AAQNV000AAMA0	DA720401S	KCF123900	DN 150	ANSI 150	329,5	432	128
DM415101AAB0AAQNV000AAQA0	DM415101ABA0AAQNV000AAQA0	DAN1440411S	KCF143902	DN 200	ANSI 150	567	524	224

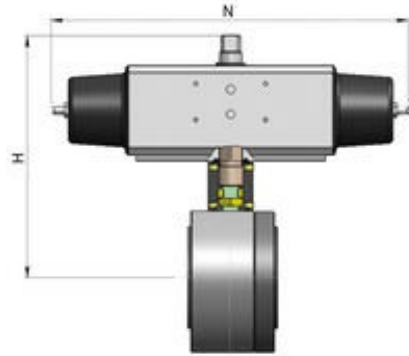
Item codes in F51 STAINLESS Steel

BODY F51 DUPLEX STAINLESS STEEL	Actuator	Connecting kit	Size	ANSI	N	H	Kg
DM404101AID0CAQNV000AABA0	DA015401S	KCF033761	DN 15	ANSI 150	115	144,4	3,2
DM404201AID0CAQNV000AACAO	DA030401S	KCF033882	DN 15	ANSI 300	130	154,4	3,4
DM405101AID0CAQNV000AACAO	DA030401S	KCF033761	DN 20	ANSI 150	130	155,4	3,6
DM405201AID0CAQNV000AACAO	DA030401S	KCF033883	DN 20	ANSI 300	130	159,4	4,5

DM406101AID0CAQNV000AACAO	DA030401S	KCF033760	DN 25	ANSI 150	130	162,4	4,8
DM406201AID0CAQNV000AACAO	DA030401S	KCF033884	DN 25	ANSI 300	130	165,4	5,2
DM407101AID0CAQNV000AADA0	DA045402S	KCF043762	DN 32	ANSI 150	144	172,7	6,9
DM407201AID0CAQNV000AADA0	DA045402S	KCF043762	DN 32	ANSI 300	144	172,7	6,9
DM408101AID0CAQNV000AAEA0	DA060402S	KCF043763	DN 40	ANSI 150	152	198,4	9,9
DM408201AID0CAQNV000AAEA0	DA060402S	KCF043763	DN 40	ANSI 300	152	198,4	11,1
DM409101AID0CAQNV000AAFA0	DA090401S	KCF053764	DN 50	ANSI 150	169	214,5	11,8
DM409201AID0CAQNV000AAHA0	DA120401S	KCF053885	DN 50	ANSI 300	184	239,4	13,0
DM410101AID0CAQNV000AAHA0	DA120401S	KCF053773	DN 65	ANSI 150	184	259,4	19,5
DM410201AID0CAQNV000AAIA0	DA180401S	KCF073886	DN 65	ANSI 300	212	275	22,5
DM411101AID0CAQNV000AAIA0	DA180401S	KCF073765	DN 80	ANSI 150	212	276	24,1
DM411201AID0CAQNV000AAJA0	DA240401S	KCF073886	DN 80	ANSI 300	242	292,4	27,8
DM412101AID0CAQNV000AAKA0	DA360401S	KCF103777	DN 100	ANSI 150	264	335	49,0
DM412201AID0CAQNV000AALA0	DA480401S	KCF103904	DN 100	ANSI 300	295	356	57,8
DM413101AID0CAQNV000AALA0	DA480401S	KCF103777	DN 125	ANSI 150	295	357	57,9
DM414101AID0CAQNV000AAMA0	DA720401S	KCF123900	DN 150	ANSI 150	329,5	432	128
DM415101AID0CAQNV000AAQA0	DAN1440411S	KCF143902	DN 200	ANSI 150	567	524	224



Drives - Spring return pneumatic actuator



Item codes in F304 E F316 STAINLESS Steel								
BODY F304 STAINLESS STEEL	BODY F316 STAINLESS STEEL	Actuator	Connecting kit	Size	PN	N	H	Kg
SM404E00AAB0AAQNV000AACAO	SM404E00ABA0AAQNV000AACAO	SR015401S	KCF033761	DN 15	16	221	152,4	3,7
SM404I00AAB0AAQNV000AAEA0	SM404I00ABA0AAQNV000AAEA0	SR030402S	KCF043767	DN 15	25- 40	240	164,4	4,1
SM405F00AAB0AAQNV000AAEA0	SM405F00ABA0AAQNV000AAEA0	SR030402S	KCF043767	DN 20	16- 40	240	165,4	4,8
SM406F00AAB0AAQNV000AAEA0	SM406F00ABA0AAQNV000AAEA0	SR030402S	KCF043807	DN 25	16- 40	240	172,4	5,9
SM407F00AAB0AAQNV000AAFA0	SM407F00ABA0AAQNV000AAFA0	SR045401S	KCF053768	DN 32	16- 40	294	184,5	8,2
SM408F00AAB0AAQNV000AAHA0	SM408F00ABA0AAQNV000AAHA0	SR060401S	KCF053764	DN 40	16- 40	320	224,4	12,7
SM409E00AAB0AAQNV000AAIA0	SM409E00ABA0AAQNV000AAIA0	SR090401S	KCF073769	DN 50	16	357	243	14,2
SM409I00AAB0AAQNV000AAJA0	SM409I00ABA0AAQNV000AAJA0	SR120401S	KCF073769	DN 50	25- 40	368	253,4	16,1
SM410E00AAB0AAQNV000AAJA0	SM410E00ABA0AAQNV000AAJA0	SR120401S	KCF073765	DN 65	16	368	279,4	22,9
SM410I00AAB0AAQNV000AAKA0	SM410I00ABA0AAQNV000AAKA0	SR180401S	KCF103770	DN 65	25- 40	436	291	25,3
SM411E00AAB0AAQNV000AAKA0	SM411E00ABA0AAQNV000AAKA0	SR180401S	KCF103770	DN 80	16	436	298	30,2
SM411I00AAB0AAQNV000AALA0	SM411I00ABA0AAQNV000AALA0	SR240401S	KCF103770	DN 80	25- 40	456	310	31,0
SM412E00AAB0AAQNV000AAMA0	SM412E00ABA0AAQNV000AAMA0	SR360401S	KCF123778	DN 100	16	566	365	58,2

SM412I00AAB0AAQNV000AANA0	SM412I00ABA0AAQNV000AANA0	SR480401S	KCF123778	DN 100	25-40	602	373,2	59,6
SM413E00AAB0AAQNV000AANA0	SM413E00ABA0AAQNV000AANA0	SR480401S	KCF123778	DN 125	16	602	383,2	67,3
SM413I00AAB0AAQNV000AAQA0	SM413I00ABA0AAQNV000AAQA0	SRN0720401S	KCF143899	DN 125	25-40	798	421	86,6
SM414E00AAB0AAQNV000AAQA0	SM414E00ABA0AAQNV000AAQA0	SRN0720401S	KCF143901	DN 150	16	798	490	172,3
SM415E00AAB0AAQNV000AASA0	SM415E00ABA0AAQNV000AASA0	SR1440E16D8A	KCF163903	DN 200	16	834	647	257

Item codes in F51 STAINLESS Steel								
BODY F51 DUPLEX STAINLESS STEEL	Actuator	Connecting kit	Size	PN	N	H	Kg	
SM404E00AID0CAQNV000AACAO	SR015401S	KCF033761	DN 15	16	221	152,4	3,7	
SM404I00AID0CAQNV000AAEA0	SR030402S	KCF043767	DN 15	25-40	240	164,4	4,1	
SM405F00AID0CAQNV000AAEA0	SR030402S	KCF043767	DN 20	16-40	240	165,4	4,8	
SM406F00AID0CAQNV000AAEA0	SR030402S	KCF043807	DN 25	16-40	240	172,4	5,9	
SM407F00AID0CAQNV000AAFA0	SR045401S	KCF053768	DN 32	16-40	294	184,5	8,2	
SM408F00AID0CAQNV000AAHA0	SR060401S	KCF053764	DN 40	16-40	320	224,4	12,7	
SM409E00AID0CAQNV000AAIA0	SR090401S	KCF073769	DN 50	16	357	243	14,2	
SM409I00AID0CAQNV000AAJA0	SR120401S	KCF073769	DN 50	25-40	368	253,4	16,1	
SM410E00AID0CAQNV000AAJA0	SR120401S	KCF073765	DN 65	16	368	279,4	22,9	
SM410I00AID0CAQNV000AAKA0	SR180401S	KCF103770	DN 65	25-40	436	291	25,3	
SM411E00AID0CAQNV000AAKA0	SR180401S	KCF103770	DN 80	16	436	298	30,2	
SM411I00AID0CAQNV000AALA0	SR240401S	KCF103770	DN 80	25-40	456	310	31,0	
SM412E00AID0CAQNV000AAMA0	SR360401S	KCF123778	DN 100	16	566	365	58,2	
SM412I00AID0CAQNV000AANA0	SR480401S	KCF123778	DN 100	25-40	602	373,2	59,6	
SM413E00AID0CAQNV000AANA0	SR480401S	KCF123778	DN125	16	602	383,2	67,3	
SM413I00AID0CAQNV000AAQA0	SRN0720401S	KCF143899	DN 125	25-40	798	421	86,6	
SM414E00AID0CAQNV000AAQA0	SRN0720401S	KCF143901	DN150	16	798	490	172,3	
SM415E00AID0CAQNV000AASA0	SR1440E16D8A	KCF163903	DN 200	16	834	647	257	

Item codes in F304 E F316 STAINLESS Steel								
BODY F304 STAINLESS STEEL	BODY F316 STAINLESS STEEL	Actuator	Connecting kit	Size	ANSI	N	H	Kg
SM404101AAB0AAQNV000AACAO	SM404101ABA0AAQNV000AACAO	SR015401S	KCF033761	DN 15	ANSI 150	221	152,4	3,7
SM404201AAB0AAQNV000AAEA0	SM404201ABA0AAQNV000AAEA0	SR030402S	KCF043888	DN 15	ANSI 300	240	164,4	4,1
SM405101AAB0AAQNV000AAEA0	SM405101ABA0AAQNV000AAEA0	SR030402S	KCF043767	DN 20	ANSI 150	240	165,4	4,9

SM405201AAB0AAQNV000AAEA0	SM405201ABA0AAQNV000AAEA0	SR030402S	KCF043889	DN 20	ANSI 300	240	170,4	4,5
SM406101AAB0AAQNV000AAEA0	SM406101ABA0AAQNV000AAEA0	SR030402S	KCF043807	DN 25	ANSI 150	240	172,4	5,7
SM406201AAB0AAQNV000AAEA0	SM406201ABA0AAQNV000AAEA0	SR030402S	KCF043890	DN 25	ANSI 300	240	175,4	6,1
SM407101AAB0AAQNV000AAFA0	SM407101ABA0AAQNV000AAFA0	SR045401S	KCF053768	DN 32	ANSI 150	294	182,5	8,2
SM407201AAB0AAQNV000AAFA0	SM407201ABA0AAQNV000AAFA0	SR045401S	KCF053768	DN 32	ANSI 300	294	182,5	8,2
SM408101AAB0AAQNV000AAHA0	SM408101ABA0AAQNV000AAHA0	SR060401S	KCF053764	DN 40	ANSI 150	320	224,4	13,3
SM408201AAB0AAQNV000AAHA0	SM408201ABA0AAQNV000AAHA0	SR060401S	KCF053764	DN 40	ANSI 300	320	224,4	14,4
SM409101AAB0AAQNV000AAIA0	SM409101ABA0AAQNV000AAIA0	SR090401S	KCF073769	DN 50	ANSI 150	357	243	14,1
SM409201AAB0AAQNV000AAJA0	SM409201ABA0AAQNV000AAJA0	SR120401S	KCF073891	DN 50	ANSI 300	368	259,4	16,6
SM410101AAB0AAQNV000AAJA0	SM410101ABA0AAQNV000AAJA0	SR120401S	KCF073765	DN 65	ANSI 150	368	279,4	23,0
SM410201AAB0AAQNV000AAKA0	SM410201ABA0AAQNV000AAKA0	SR180401S	KCF103892	DN 65	ANSI 300	436	297	27,9
SM411101AAB0AAQNV000AAKA0	SM411101ABA0AAQNV000AAKA0	SR180401S	KCF103770	DN 80	ANSI 150	436	298	30,7
SM411201AAB0AAQNV000AALA0	SM411201ABA0AAQNV000AALA0	SR240401S	KCF103892	DN 80	ANSI 300	456	316	34,8
SM412101AAB0AAQNV000AAMA0	SM412101ABA0AAQNV000AAMA0	SR360401S	KCF123778	DN 100	ANSI 150	566	365	58,5
SM412201AAB0AAQNV000AANA0	SM412201ABA0AAQNV000AANA0	SR480401S	KCF123905	DN 100	ANSI 300	602	381,2	67,3
SM413101AAB0AAQNV000AANA0	SM413101ABA0AAQNV000AANA0	SR480401S	KCF123778	DN 125	ANSI 150	602	383,2	67,4
SM414101AAB0AAQNV000AAQA0	SM414101ABA0AAQNV000AAQA0	SRN0720401S	KCF143901	DN 150	ANSI 150	798	490	173,3
SM415101AAB0AAQNV000AASA0	SM415101ABA0AAQNV000AASA0	SR1440E16D8A	KCF163903	DN 200	ANSI 150	834	647	257

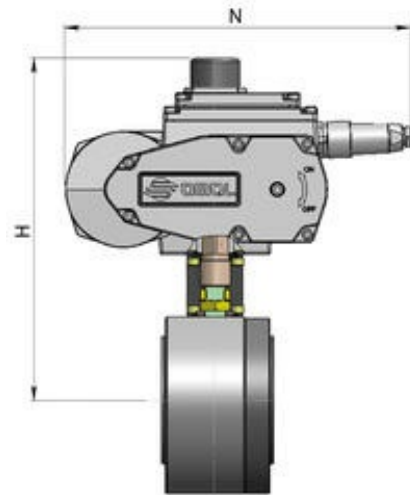
Item codes in F51 STAINLESS Steel

BODY F51 DUPLEX STAINLESS STEEL	Actuator	Connecting kit	Size	ANSI	N	H	Kg
SM404101AID0CAQNV000AACAO	SR015401S	KCF033761	DN 15	ANSI 150	221	152,4	3,7
SM404201AID0CAQNV000AAEA0	SR030402S	KCF043888	DN 15	ANSI 300	240	164,4	4,1
SM405101AID0CAQNV000AAEA0	SR030402S	KCF043767	DN 20	ANSI 150	240	165,4	4,9
SM405201AID0CAQNV000AAEA0	SR030402S	KCF043889	DN 20	ANSI 300	240	170,4	4,5
SM406101AID0CAQNV000AAEA0	SR030402S	KCF043807	DN 25	ANSI 150	240	172,4	5,7
SM406201AID0CAQNV000AAEA0	SR030402S	KCF043890	DN 25	ANSI 300	240	175,4	6,1
SM407101AID0CAQNV000AAFA0	SR045401S	KCF053768	DN 32	ANSI 150	294	182,5	8,2

SM407201AID0CAQNV000AAFA0	SR045401S	KCF053768	DN 32	ANSI 300	294	182,5	8,2
SM408101AID0CAQNV000AAHA0	SR060401S	KCF053764	DN 40	ANSI 150	320	224,4	13,3
SM408201AID0CAQNV000AAHA0	SR060401S	KCF053764	DN 40	ANSI 300	320	224,4	14,4
SM409101AID0CAQNV000AAIA0	SR090401S	KCF073769	DN 50	ANSI 150	357	243	14,1
SM409201AID0CAQNV000AAJA0	SR120401S	KCF073891	DN 50	ANSI 300	368	259,4	16,6
SM410101AID0CAQNV000AAJA0	SR120401S	KCF073765	DN 65	ANSI 150	368	279,4	23,0
SM410201AID0CAQNV000AAKA0	SR180401S	KCF103892	DN 65	ANSI 300	436	297	27,9
SM411101AID0CAQNV000AAKA0	SR180401S	KCF103770	DN 80	ANSI 150	436	298	30,7
SM411201AID0CAQNV000AALA0	SR240401S	KCF103892	DN 80	ANSI 300	456	316	34,8
SM412101AID0CAQNV000AAMA0	SR360401S	KCF123778	DN 100	ANSI 150	566	365	58,5
SM412201AID0CAQNV000AANA0	SR480401S	KCF123905	DN 100	ANSI 300	602	381,2	67,3
SM413101AID0CAQNV000AANA0	SR480401S	KCF123778	DN 125	ANSI 150	602	383,2	67,4
SM414101AID0CAQNV000AAQA0	SRN0720401S	KCF143901	DN 150	ANSI 150	798	490	173,3
SM415101AID0CAQNV000AASA0	SR1440E16D8A	KCF163903	DN 200	ANSI 150	834	647	257



Drives - Electric actuators



Item codes in F304 E F316 STAINLESS Steel								
BODY F304 STAINLESS STEEL	BODY F316 STAINLESS STEEL	Actuator	Connecting kit	Size	PN	N	H	Kg
EM404F00AAB0AAQNV000AMEG0	EM404F00ABA0AAQNV000AMEG0	EA0035A5C000	KCF053775	DN 15	16- 40	250	209	5,7
EM405F00AAB0AAQNV000AMEG0	EM405F00ABA0AAQNV000AMEG0	EA0035A5C000	KCF053775	DN 20	16- 40	250	212	6,2
EM406F00AAB0AAQNV000AMEG0	EM406F00ABA0AAQNV000AMEG0	EA0035A5C000	KCF053768	DN 25	16- 40	250	219	7,1
EM407F00AAB0AAQNV000AMGG0	EM407F00ABA0AAQNV000AMGG0	EA0070A5C000	KCF053768	DN 32	16- 40	250	224	8,8
EM408F00AAB0AAQNV000AMGG0	EM408F00ABA0AAQNV000AMGG0	EA0070A5C000	KCF053764	DN 40	16- 40	250	245	11,1
EM409F00AAB0AAQNV000AMIG0	EM409F00ABA0AAQNV000AMIG0	EA0130A5C000	KCF073769	DN 50	16- 40	280	274,6	17,0
EM410E00AAB0AAQNV000AMIG0	EM410E00ABA0AAQNV000AMIG0	EA0130A5C000	KCF073765	DN 65	16	280	300,6	23,9
EM410I00AAB0AAQNV000AMKG0	EM410I00ABA0AAQNV000AMKG0	EA0240A5C000	KCF103770	DN 65	25- 40	280	300,6	23,6
EM411F00AAB0AAQNV000AMKG0	EM411F00ABA0AAQNV000AMKG0	EA0240A5C000	KCF103770	DN 80	16- 40	280	307,6	27,7
EM412E00AAB0AAQNV000AMNA0	EM412E00ABA0AAQNV000AMNA0	AE160040	KCE363779	DN 100	16	256,5	372	50,9
EM412I00AAB0AAQNV000AMNA0	EM412I00ABA0AAQNV000AMNA0	AE160040	KCE363779	DN 100	25- 40	256,5	372	51,0

EM413E00AAB0AAQNV000AMNA0	EM413E00ABA0AAQNV000AMNA0	AE160040	KCE363779	DN 125	16	256,5	382	58,7
EM413I00AAB0AAQNV000AMRA0	EM413I00ABA0AAQNV000AMRA0	AE160060	KCE563907	DN 125	25-40	381	439	81
EM414E00AAB0AAQNV000AMRA0	EM414E00ABA0AAQNV000AMRA0	AE160060	KCE563908	DN 150	16	381	488	132
EM415E00AAB0AAQNV000AMTA0	EM415E00ABA0AAQNV000AMTA0	AE160100	KCE563909	DN 200	16	381	522	205

Items available also with modulating actuator

Item codes in F51 STAINLESS Steel							
BODY F51 DUPLEX STAINLESS STEEL	Actuator	Connecting kit	Size	PN	N	H	Kg
EM404F00AID0CAQNV000AMEG0	EA0035A5C000	KCF053775	DN 15	16-40	250	209	5,7
EM405F00AID0CAQNV000AMEG0	EA0035A5C000	KCF053775	DN 20	16-40	250	212	6,2
EM406F00AID0CAQNV000AMEG0	EA0035A5C000	KCF053768	DN 25	16-40	250	219	7,1
EM407F00AID0CAQNV000AMGG0	EA0070A5C000	KCF053768	DN 32	16-40	250	224	8,8
EM408F00AID0CAQNV000AMGG0	EA0070A5C000	KCF053764	DN 40	16-40	250	245	11,1
EM409F00AID0CAQNV000AMIG0	EA0130A5C000	KCF073769	DN 50	16-40	280	274,6	17,0
EM410E00AID0CAQNV000AMIG0	EA0130A5C000	KCF073765	DN 65	16	280	300,6	23,9
EM410I00AID0CAQNV000AMKG0	EA0240A5C000	KCF103770	DN 65	25-40	280	300,6	23,6
EM411F00AID0CAQNV000AMKG0	EA0240A5C000	KCF103770	DN 80	16-40	280	307,6	27,7
EM412E00AID0CAQNV000AMNA0	AE160040	KCE363779	DN 100	16	256,5	372	50,9
EM412I00AID0CAQNV000AMNA0	AE160040	KCE363779	DN 100	25-40	256,5	372	51,0
EM413E00AID0CAQNV000AMNA0	AE160040	KCE363779	DN 125	16	256,5	382	58,7
EM413I00AID0CAQNV000AMRA0	AE160060	KCE563907	DN 125	25-40	381	439	81
EM414E00AID0CAQNV000AMRA0	AE160060	KCE563908	DN 150	16	381	488	132
EM415E00AID0CAQNV000AMTA0	AE160100	KCE563909	DN 200	16	381	522	205

Items available also with modulating actuator

Item codes in F304 E F316 STAINLESS Steel								
BODY F304 STAINLESS STEEL	BODY F316 STAINLESS STEEL	Actuator	Connecting kit	Size	ANSI	N	H	Kg
EM404101AAB0AAQNV000AMEG0	EM404101ABA0AAQNV000AMEG0	EA0035A5C000	KCF053775	DN 15	ANSI 150	250	209	5,7
EM404201AAB0AAQNV000AMEG0	EM404201ABA0AAQNV000AMEG0	EA0035A5C000	KCF053894	DN 15	ANSI 300	250	211	5,7
EM405101AAB0AAQNV000AMEG0	EM405101ABA0AAQNV000AMEG0	EA0035A5C000	KCF053775	DN 20	ANSI 150	250	212	6,1
EM405201AAB0AAQNV000AMEG0	EM405201ABA0AAQNV000AMEG0	EA0035A5C000	KCF053895	DN 20	ANSI 300	250	216	6,7
EM406101AAB0AAQNV000AMEG0	EM406101ABA0AAQNV000AMEG0	EA0035A5C000	KCF053768	DN 25	ANSI 150	250	219	7,0

EM406201AAB0AAQNV000AMEG0	EM406201ABA0AAQNV000AMEG0	EA0035A5C000	KCF053896	DN 25	ANSI 300	250	222	7,4
EM407101AAB0AAQNV000AMGG0	EM407101ABA0AAQNV000AMGG0	EA0070A5C000	KCF053768	DN 32	ANSI 150	250	224	8,8
EM407201AAB0AAQNV000AMGG0	EM407201ABA0AAQNV000AMGG0	EA0070A5C000	KCF053768	DN 32	ANSI 300	250	224	8,8
EM408101AAB0AAQNV000AMGG0	EM408101ABA0AAQNV000AMGG0	EA0070A5C000	KCF053764	DN 40	ANSI 150	250	245	11,1
EM408201AAB0AAQNV000AMGG0	EM408201ABA0AAQNV000AMGG0	EA0070A5C000	KCF053764	DN 40	ANSI 300	250	245	12,2
EM409101AAB0AAQNV000AMIG0	EM409101ABA0AAQNV000AMIG0	EA0130A5C000	KCF073769	DN 50	ANSI 150	280	274,6	17,1
EM409201AAB0AAQNV000AMIG0	EM409201ABA0AAQNV000AMIG0	EA0130A5C000	KCF073891	DN 50	ANSI 300	280	280,6	19,5
EM410101AAB0AAQNV000AMIG0	EM410101ABA0AAQNV000AMIG0	EA0130A5C000	KCF073765	DN 65	ANSI 150	280	300,6	24,0
EM410201AAB0AAQNV000AMKG0	EM410201ABA0AAQNV000AMKG0	EA0240A5C000	KCF103892	DN 65	ANSI 300	280	306,6	26,2
EM411101AAB0AAQNV000AMKG0	EM411101ABA0AAQNV000AMKG0	EA0240A5C000	KCF103770	DN 80	ANSI 150	280	307,6	28,2
EM411201AAB0AAQNV000AMKG0	EM411201ABA0AAQNV000AMKG0	EA0240A5C000	KCF103892	DN 80	ANSI 300	280	313,6	31,5
EM412101AAB0AAQNV000AMNA0	EM412101ABA0AAQNV000AMNA0	AE160040	KCE363779	DN 100	ANSI 150	256,5	372	51,2
EM412201AAB0AAQNV000AMNA0	EM412201ABA0AAQNV000AMNA0	AE160040	KCE363906	DN 100	ANSI 300	256,5	380	58,7
EM413101AAB0AAQNV000AMNA0	EM413101ABA0AAQNV000AMNA0	AE160040	KCE363779	DN 125	ANSI 150	256,5	382	58,8
EM414101AAB0AAQNV000AMRA0	EM414101ABA0AAQNV000AMRA0	AE160060	KCE563908	DN 150	ANSI 150	381	488	133
EM415101AAB0AAQNV000AMTA0	EM415101ABA0AAQNV000AMTA0	AE160100	KCE563909	DN 200	ANSI 150	381	522	207

Items available also with modulating actuator

Item codes in F51 STAINLESS Steel							
BODY F51 DUPLEX STAINLESS STEEL	Actuator	Connecting kit	Size	ANSI	N	H	Kg
EM404101AID0CAQNV000AMEG0	EA0035A5C000	KCF053775	DN 15	ANSI 150	250	209	5,7
EM404201AID0CAQNV000AMEG0	EA0035A5C000	KCF053894	DN 15	ANSI 300	250	211	5,7
EM405101AID0CAQNV000AMEG0	EA0035A5C000	KCF053775	DN 20	ANSI 150	250	212	6,1
EM405201AID0CAQNV000AMEG0	EA0035A5C000	KCF053895	DN 20	ANSI 300	250	216	6,7
EM406101AID0CAQNV000AMEG0	EA0035A5C000	KCF053768	DN 25	ANSI 150	250	219	7,0
EM406201AID0CAQNV000AMEG0	EA0035A5C000	KCF053896	DN 25	ANSI 300	250	222	7,4
EM407101AID0CAQNV000AMGG0	EA0070A5C000	KCF053768	DN 32	ANSI 150	250	224	8,8
EM407201AID0CAQNV000AMGG0	EA0070A5C000	KCF053768	DN 32	ANSI 300	250	224	8,8
EM408101AID0CAQNV000AMGG0	EA0070A5C000	KCF053764	DN 40	ANSI 150	250	245	11,1

EM408201AID0CAQNV000AMGG0	EA0070A5C000	KCF053764	DN 40	ANSI 300	250	245	12,2
EM409101AID0CAQNV000AMIG0	EA0130A5C000	KCF073769	DN 50	ANSI 150	280	274,6	17,1
EM409201AID0CAQNV000AMIG0	EA0130A5C000	KCF073891	DN 50	ANSI 300	280	280,6	19,5
EM410101AID0CAQNV000AMIG0	EA0130A5C000	KCF073765	DN 65	ANSI 150	280	300,6	24,0
EM410201AID0CAQNV000AMKG0	EA0240A5C000	KCF103892	DN 65	ANSI 300	280	306,6	26,2
EM411101AID0CAQNV000AMKG0	EA0240A5C000	KCF103770	DN 80	ANSI 150	280	307,6	28,2
EM411201AID0CAQNV000AMKG0	EA0240A5C000	KCF103892	DN 80	ANSI 300	280	313,6	31,5
EM412101AID0CAQNV000AMNA0	AE160040	KCE363779	DN 100	ANSI 150	256,5	372	51,2
EM412201AID0CAQNV000AMNA0	AE160040	KCE363906	DN 100	ANSI 300	256,5	380	58,7
EM413101AID0CAQNV000AMNA0	AE160040	KCE363779	DN 125	ANSI 150	256,5	382	58,8
EM414101AID0CAQNV000AMRA0	AE160060	KCE563908	DN 150	ANSI 150	381	488	133
EM415101AID0CAQNV000AMTA0	AE160100	KCE563909	DN 200	ANSI 150	381	522	207

Items available also with modulating actuator