

II. HEATING CONTROLLERS

ROTO TEMP



Constant temperature controller with 3-way brass mixing valve, 24VAC, 50Hz, with VF sensor and mounting accessories.

Due to the low height of the actuator (81.3 mm) it is suitable for installation in distribution cabinets or wall niche.

It is intended for:

- maintaining a constant temperature in boiler heating circuit (protection against condensation),
- use in under floor heating applications, industrial processes, heat accumulators,
- use in domestic hot water systems or swimming pools (individual systems, SPA, public swimming pools).

Characteristics:

- Supply voltage: 230VAC, 50Hz (with adapter)
- Power consumption: 7.5VA
- Connection cable: 1.7m (2x0.75mm²)
- Output torque: 8Nm
- Rotation time: 105s/90°
- Ambient temperature: 0..55°C, non condensed
- Protection class (in accordance with EN 60335-1): II
- Degree of protection: IP44 (EN60529)
- Sensor type: KTY 81-210PVC, length 1.5m, 6mm diameter, length 40mm

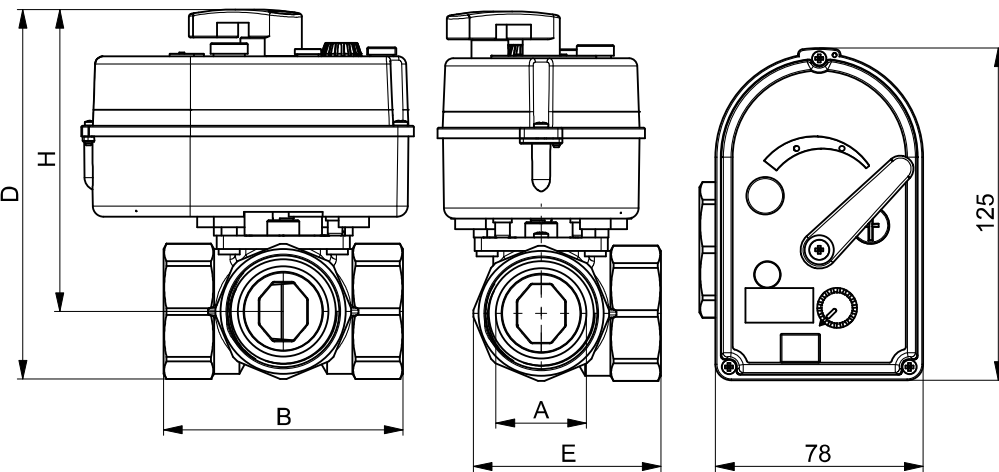
Mixing valve

- PN class: PN10
- Connections: Internal thread, ISO 7/1
- Seal: FKM, EPDM
- Permissible media: Cold and warm water, water with Glycol up to max. 50% vol
- Media temperature: +5...110°C

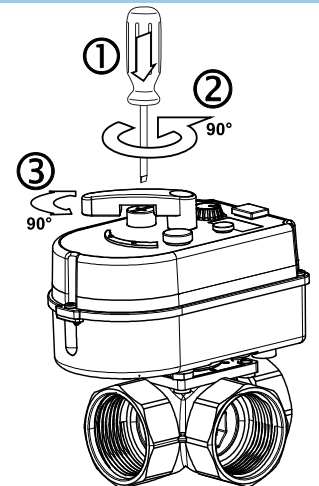
Features:

- Actuator has a fixed rotation (90°)
- Possibility of manual control
- LED temperature display
- Knob for adjusting desired temperature
- With DIP switches inside actuator is possible to set the following parameters:
 - Direction of rotation (CCW (inverse) /CW (direct)) + recalibration
 - Different temperature ranges depending on the application (0-100°C, 60-85°C, 20-70°C, 25-45°C)
 - Reaction factor x1/x10

ROTO TEMP dimensions



Manual control:



Code	Type	A	B	D	E	H	kg	Kvs
21147	ROTO TEMP F3 DN15	15	72	130,5	54,0	113,5	1,34	3
21148	ROTO TEMP F3 DN20	20	72	130,5	54,0	113,5	1,24	7
21149	ROTO TEMP F3 DN25	25	90	133,8	66,0	113,5	1,36	11
21150	ROTO TEMP F3 DN32	32	90	138,0	70,5	113,5	1,58	11
21146	ROTO TEMP	Actuator only						

Note:

When the button for manual operation is in <MAN> position, controller stays in temporary position irrespective of control signal.