

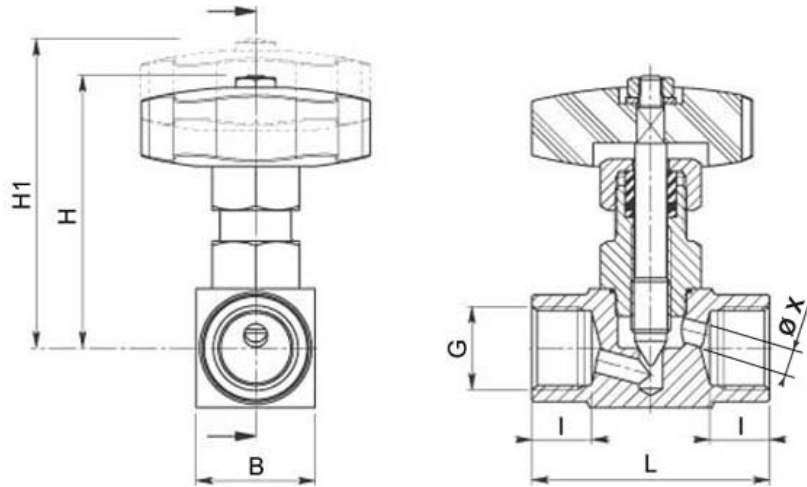


3/4"
1"

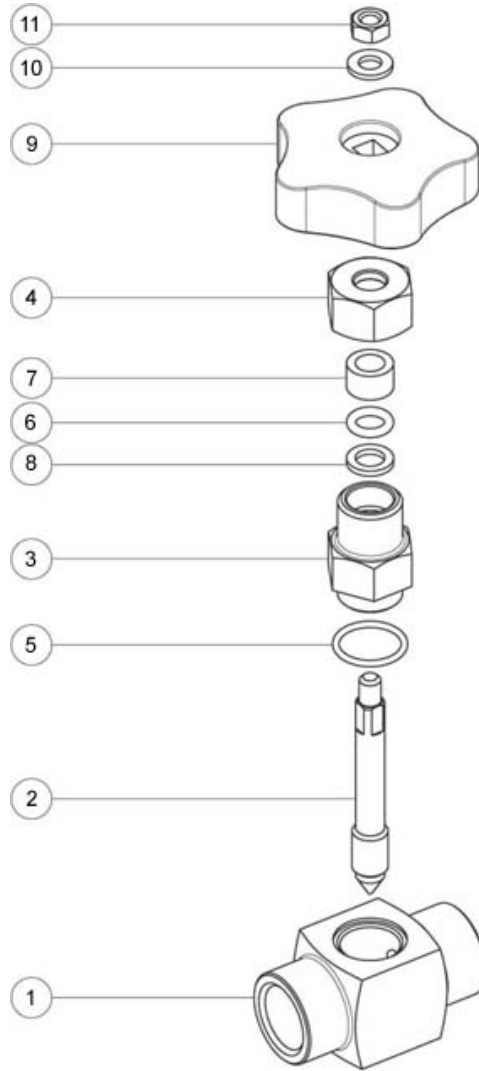
1/4"
3/8"
1/2"

PIN valve
 Drive: Handwheel
 Connection: ISO 228 female/female thread
 Material: Aisi 316
 Measure: from 1/4" to 1"
 Operating temperature: -20°C +160°C
 Outer finish: Polished

On request
 • CLAMP ISO 2852 connection



G	L	I	B	H	H 1	Ø X	PN	Kg
1/4"	45	10	25	70	78	4	160	0,26
3/8"	53	11	25	70	78	5	160	0,29
1/2"	60	14	30	72	80	6	160	0,40
3/4"	80	17	Ø48	102	117	10	100	1,12
1"	80	19	Ø48	102	117	10	100	1,03



POS.	DENOMINATION	PCS	MAT.
1	Body	1	AISI 316
2	Pin	1	AISI 316
3	Lead screw	1	AISI 316
4	Stuffing nut	1	AISI 316
5	OR	1	FKM
6	OR	1	FKM
7	Seal	1	PTFE Caricato Vetro/With glass
8	Seal	1	PTFE
9	Handwheel	1	Duroplast
10	Washer	1	AISI 304
11	Nut	1	AISI 304

