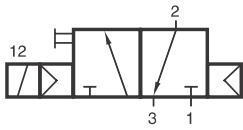
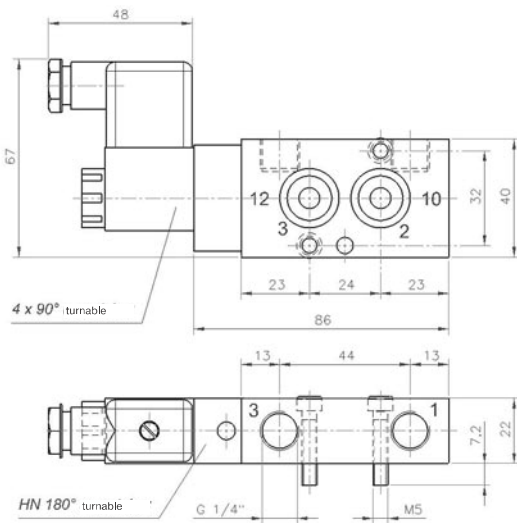


MNH 310 701



MNH 310 701



3/2-way solenoid valve, normally closed, with air spring, actuated by permanent signal. Interface according to Namur standard with exhaust air recirculation.

Available with actuators:
230V/50Hz, 110V/50Hz, 24V/50Hz, 24V=.

The valves are generally equipped with manual override to turn (standard). If requested without manual override, please order MN 310 701.

Also available with manual override to push, then please order MND 310 701.

Obtainable as well with external pilot feed; then please order MENH 310 701.

Delivery includes: 1 pin, 2 screws, 2 O-rings and connector as shown on the photo.

Σπεχιαλ3/2-ωαησολε νοιδ παλπε.

Πορτ 3 ανδ 2 σαιτχηδ.

Ιφνεεδεδ ορδε ραηπε MNH 310 711.

Type	Port size	Air flow	Operating press.	Power consumption	Weight
MNH 310 701	G 1/4"	1250 l/min	1,5 - 10 bar	3 W = /5 VA ~	0,30 kg
MNH 310 711	G 1/4"	1250 l/min	1,5 - 10 bar	3 W = /5 VA ~	0,30 kg